

# **PERI Slab Tables**

## Standard Table Module or customised Slab Table



# Contents

Edition 08/2008

## **PERI GmbH**

### **Formwork Scaffolding Engineering**

P.O. Box 1264

89259 Weissenhorn

Germany

Tel +49 (0)73 09.9 50-0

Fax +49 (0)73 09.9 51-0

info@peri.de

www.peri.de

- 1 Which slab formwork system?
- 2 PERI Table Module VT versus UNIPORTAL Table

### **PERI Table Module VT**

- 4 The pre-assembled slab table
- 6 Dimensions, Transport, Infilling
- 8 Slab edge tables with safety guardrail
- 10 Design tables for Table Module VT

### **UNIPORTAL**

- 12 The customised slab table
- 16 4 Components of UNIPORTAL Table
- 18 Principle of operation of a UNIPORTAL Head
- 19 With other slab formwork systems
- 20 Assembly sequence
- 22 Design tables for UNIPORTAL

### **Slab Tables in generell**

- 26 Slab edge tables, safety guardrail system
- 27 Striking play, Infilling
- 28 Cycling with Lifting Fork
- 30 Moving with Table Trolley
- 32 Moving with Table Lift PTL 1250
- Design Tables for Slab Props,
- 34 Plywood, Girder GT 24, VT 20
  
- 42 Components
- 56 PERI International

### **Important Notes:**

Without exception, all current safety regulations must be observed in those countries where our products are used.

The illustrations in this brochure are photographs of particular situations on a construction site. Safety or formwork anchor details are therefore not to be taken as a definitive guide to the way the equipment is to be used.

Safety precautions and allowable loads are to be strictly observed. Separate structural calculations are required for any deviations from the standard design data.

The information contained herein is subject to technical changes in the interests of progress.

# Which slab formwork system?

## It depends on the project:

- number of repetitions?
- slabs repeated on successive floors?
- facade sufficiently open for tables?
- level of labour costs?

### SKYDECK

Aluminium panel slab formwork



PERI SKYDECK is generally the most cost-effective formwork system where labour is expensive, as in industrialised countries.

Values for slab thickness  $d = 300$  mm

| No. of parts/m <sup>2</sup> | Weight [kg/m <sup>2</sup> ] | Area [m <sup>2</sup> ] per prop | Time [h/m <sup>2</sup> ]        |
|-----------------------------|-----------------------------|---------------------------------|---------------------------------|
| <b>2.3</b>                  | <b>28</b>                   | <b>3.45</b>                     | <b>0.15</b><br>–<br><b>0.30</b> |

### MULTIFLEX

Girder slab formwork



MULTIFLEX girder slab formwork keeps the cost of materials down. It is therefore particularly cost-effective where labour is cheap.

| No. of parts/m <sup>2</sup> | Weight [kg/m <sup>2</sup> ] | Area [m <sup>2</sup> ] per prop | Time [h/m <sup>2</sup> ]        |
|-----------------------------|-----------------------------|---------------------------------|---------------------------------|
| <b>3.1</b>                  | <b>40</b>                   | <b>2.90</b>                     | <b>0.25</b><br>–<br><b>0.50</b> |

### Table Module VT, UNIPORTAL

Slab tables



Given sufficient crane capacity, slab tables are the most cost-effective solution where there is a high degree of repetition and open facades.

| No. of parts/m <sup>2</sup> | Weight [kg/m <sup>2</sup> ] | Area [m <sup>2</sup> ] per prop | Time [h/m <sup>2</sup> ]        |
|-----------------------------|-----------------------------|---------------------------------|---------------------------------|
| <b>0.05</b>                 | <b>50</b>                   | <b>5.00</b>                     | <b>0.10</b><br>–<br><b>0.15</b> |

# PERI Table Module VT with Table Swivel Head

- With the Table Swivel Head, the Table Module VT has an overall depth of only 430 mm. This means extremely compact transportation and storage. PERI Table Modules VT are therefore particularly suitable for hiring as standard tableforms.
- The PERI Table Modules VT have folding props that are easily fitted or removed. For temporary storage the props can be easily removed.
- The double main girders make intermediate propping with the PERI Cross-head simplicity itself.
- The Table Swivel Head is used for slab tables with parallel girders, such as the Table Modules VT. It can also be used for trapezoidal-shaped tables and tables with radially positioned main girders (Table Swivel Head Upper Part-2).
- The prop can be connected from the right or the left for folding in either direction.

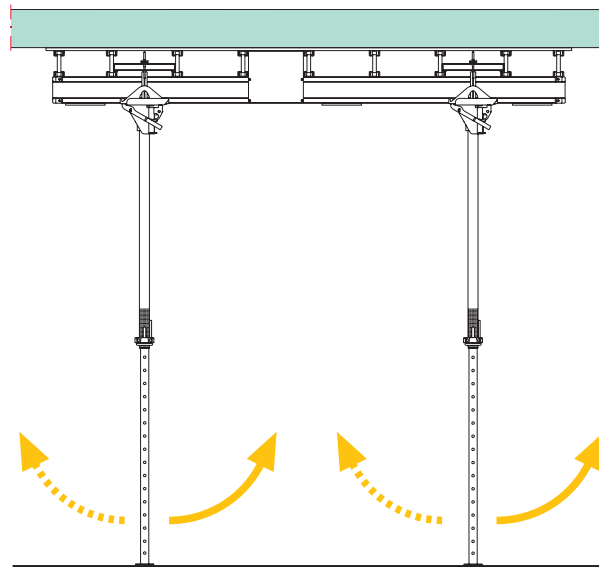
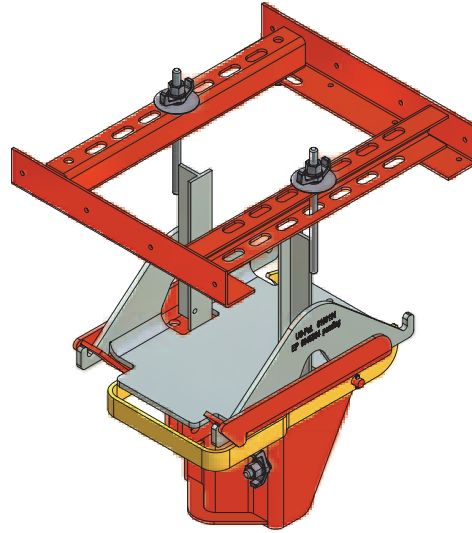
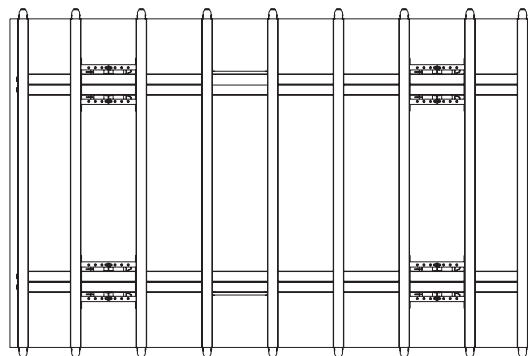
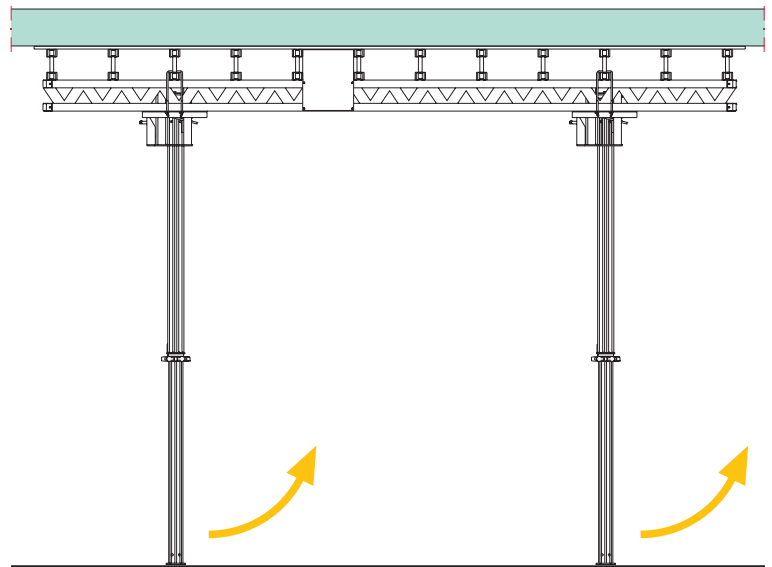
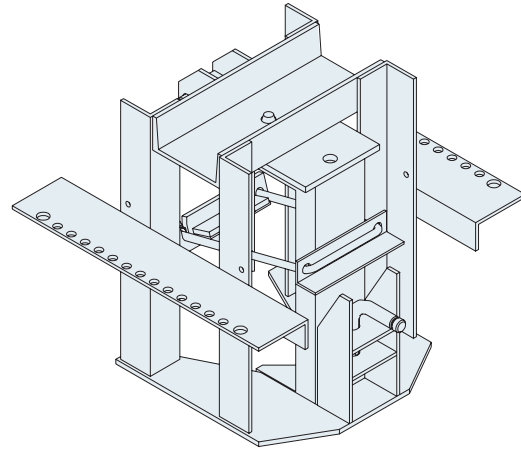


Table size  
4.00 x 2.50 m.

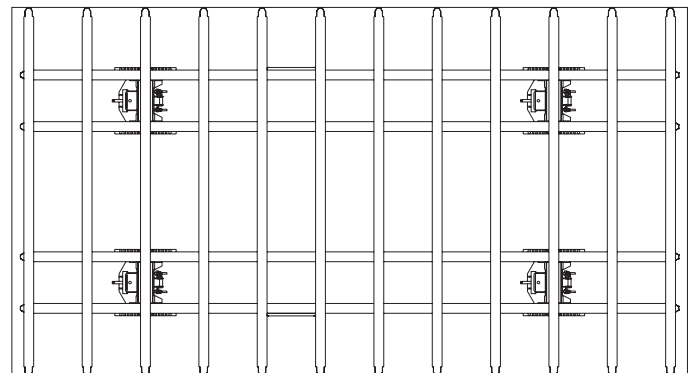
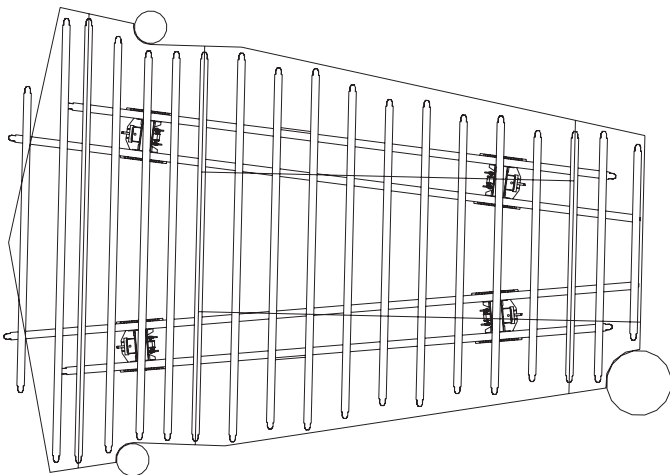


# UNIportal Table with UNIportal Head

- The UNIportal Head's greater overall depth allows the props to be clamped more rigidly. This head is therefore ideal for large tables and high slabs.
- UNIportal tables have foldable props and can easily be stored and transported together with the folded props.
- The UNIportal table's main girders are spaced 500 mm (outside dimension) apart. This provides a more efficient structural system, which allows longer girder spans and makes the table more stable.
- Both parallel and radial (for trapezoidal-shaped tables) girder arrangements can be assembled with the UNIportal Head.
- The UNIportal Head allows the props to be folded in one direction.



Trapezoidal-shaped table 7.00 x 4.65/2.50 m.



# PERI Table Module VT

## The pre-assembled slab table

**The PERI Table Modules VT are pre-assembled slab tables. Four standard sizes are available.**

Pre-assembled table modules ready for use can be rented, particularly when they are only to be used a few times. The MULTIFLEX girder slab system is used for larger infills.

**Slabs up to 600 mm thick can be concreted (see design tables).**

Both longitudinal and transverse bracing is required for larger heights.

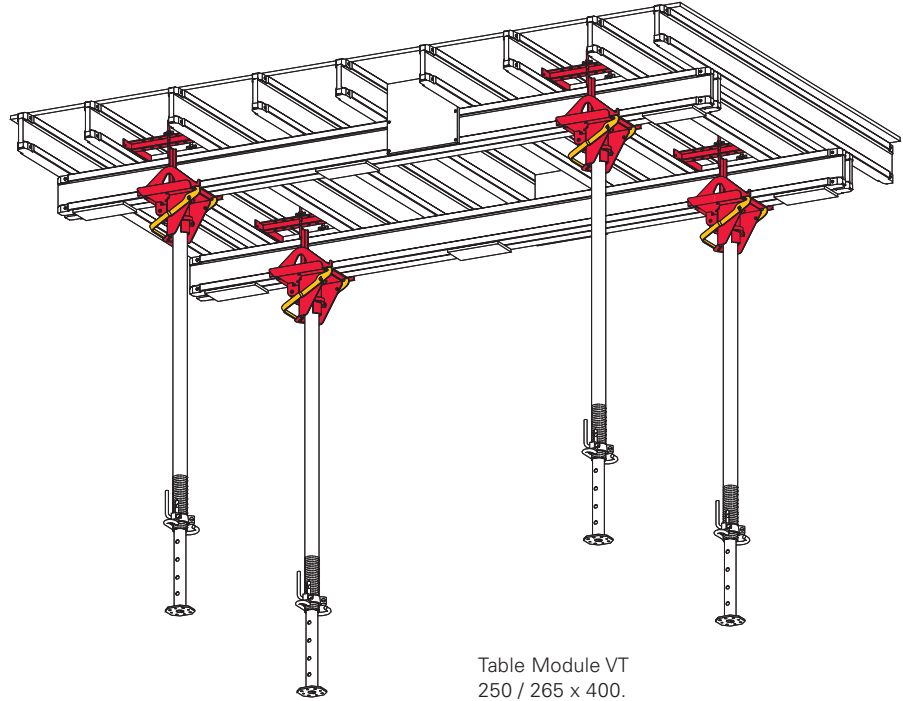
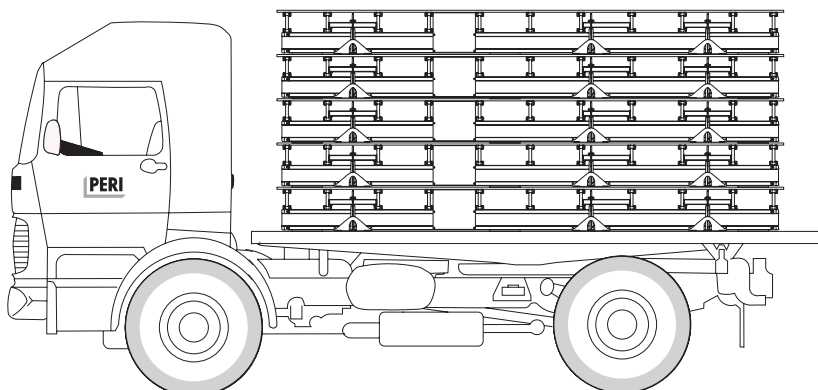
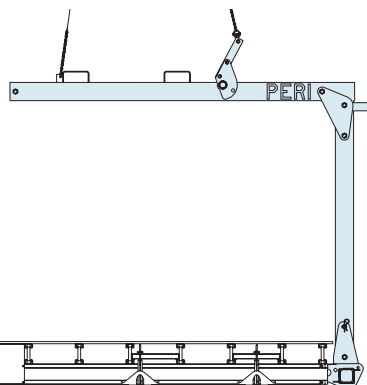


Table Module VT  
250 / 265 x 400.

The Table Modules VT are supplied to site fully pre-assembled and ready for immediate use.

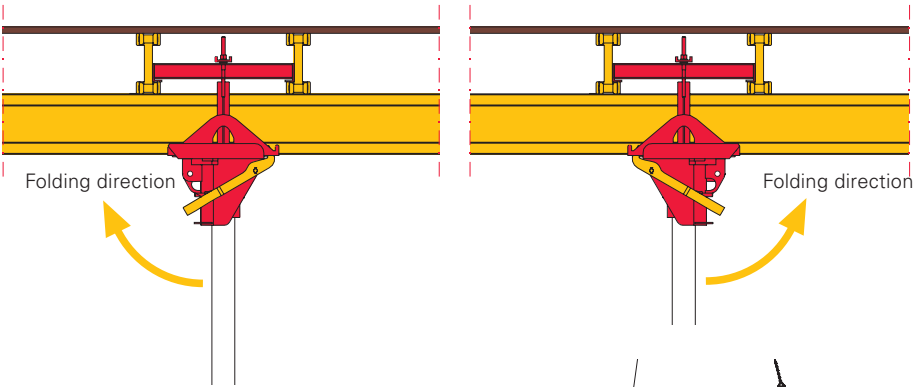
1. Unload PERI Table Modules VT straight from the lorry with the Lifting Fork 1t / 5.0 m .



2. Firstly, mount bottom part of Table Swivel Head on prop and then connect prop to the slab table.

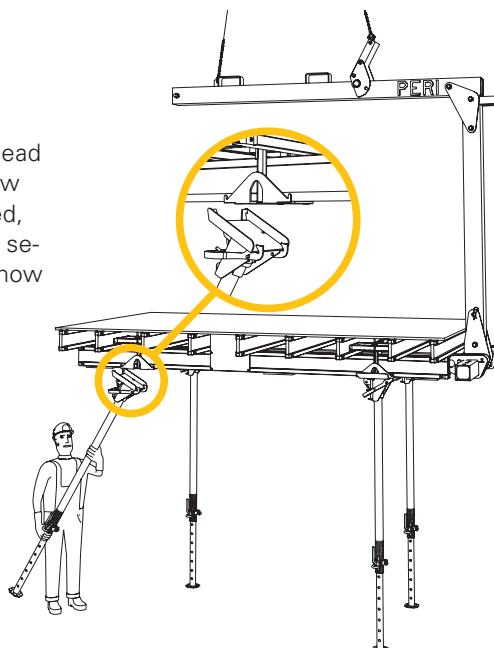






PERI Table Modules VT 250 / 265 x 400 used with PEP 20 props for industrial building.

3. Connect props with Table Swivel Head Lower Part to Table Module VT to allow them to be folded in direction required, and position vertically (the yellow bar secures the prop). The Table Module is now ready for use.



# PERI Table Module VT

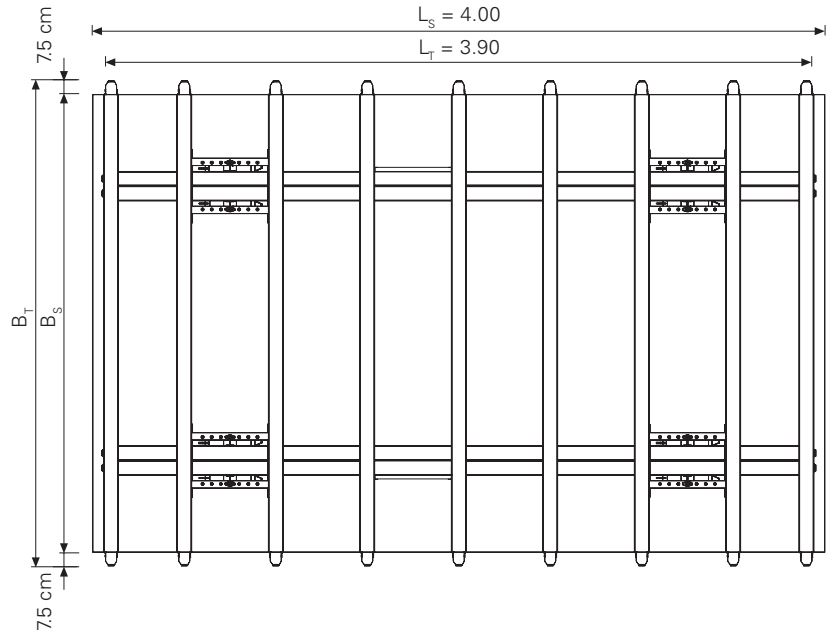
## Dimensions, Transport, Infilling

PERI Table Modules VT with VT 20 as main and secondary girder.

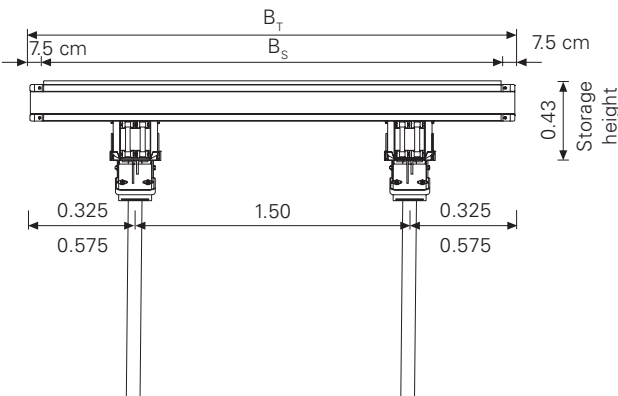
|                      | Table Modules VT |                  |                  |                  |
|----------------------|------------------|------------------|------------------|------------------|
|                      | 200/215<br>x 400 | 200/215<br>x 500 | 250/265<br>x 400 | 250/265<br>x 500 |
| <b>B<sub>T</sub></b> | <b>2.15</b>      | <b>2.15</b>      | <b>2.65</b>      | <b>2.65</b>      |
| <b>B<sub>S</sub></b> | 2.00             | 2.00             | 2.50             | 2.50             |
| <b>L<sub>S</sub></b> | <b>4.00</b>      | <b>5.00</b>      | <b>4.00</b>      | <b>5.00</b>      |
| <b>L<sub>T</sub></b> | 3.90             | 4.90             | 3.90             | 4.90             |

Dimensions [m]

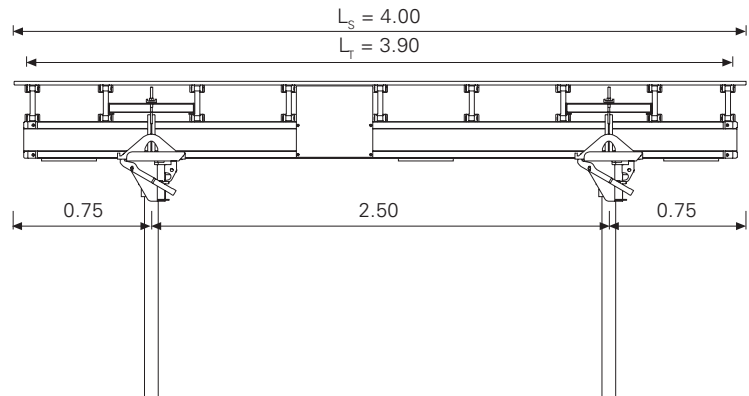
Ground plan



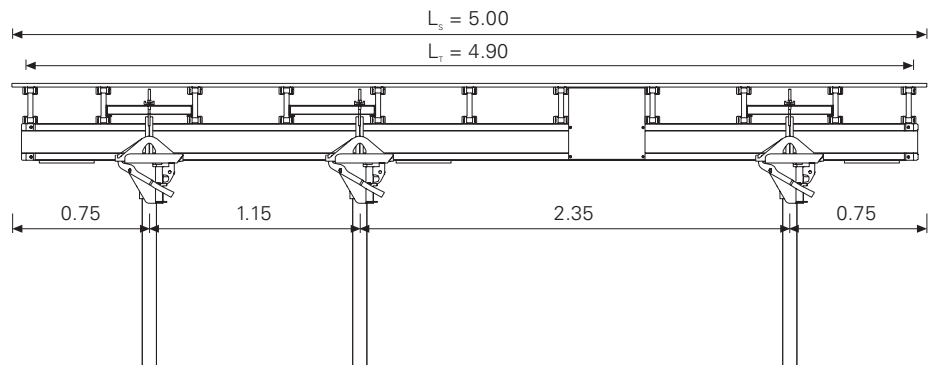
Cross-section



Longitudinal section 4.00 m table



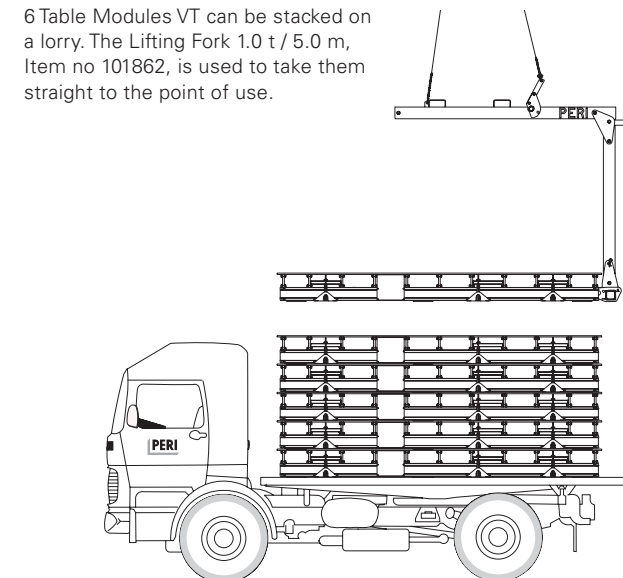
Longitudinal section 5.00 m table





**Compact transportation and storage.**  
 PERI Table Module VT's overall height of 430 mm minimises storage and transportation capacity. The loading width is 2.15 or 2.65 m.

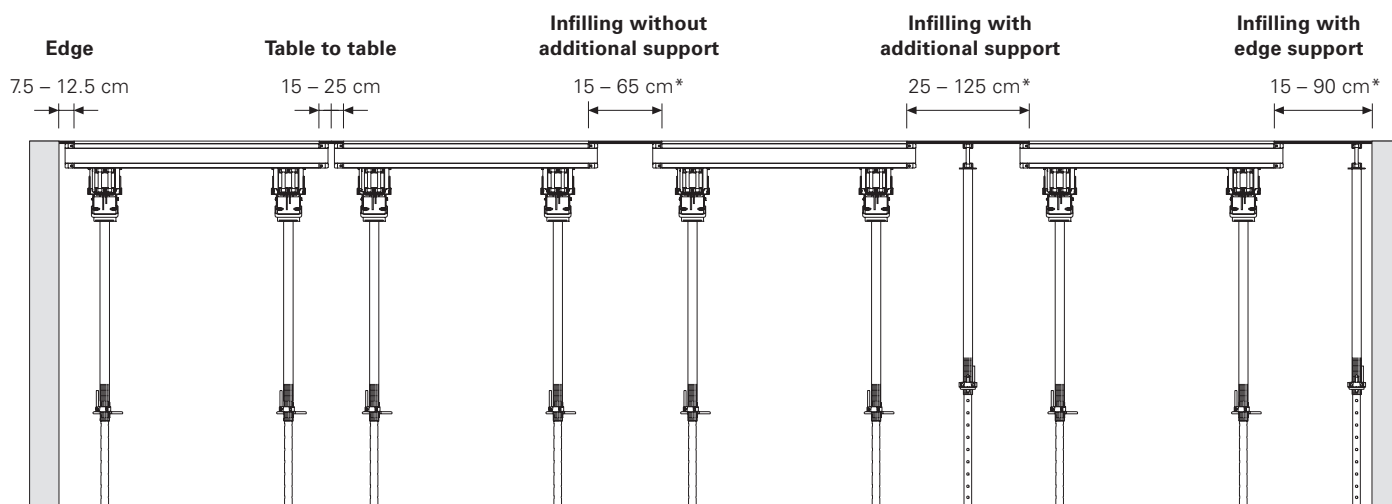
6 Table Modules VT can be stacked on a lorry. The Lifting Fork 1.0 t / 5.0 m, Item no 101862, is used to take them straight to the point of use.



The Table Module's VT stacking height of only 430 mm allows compact storage.



**Edge and width infilling.**  
 PERI Table Modules VT are very versatile in use.



\*depending on slab thickness

# PERI Table Module VT

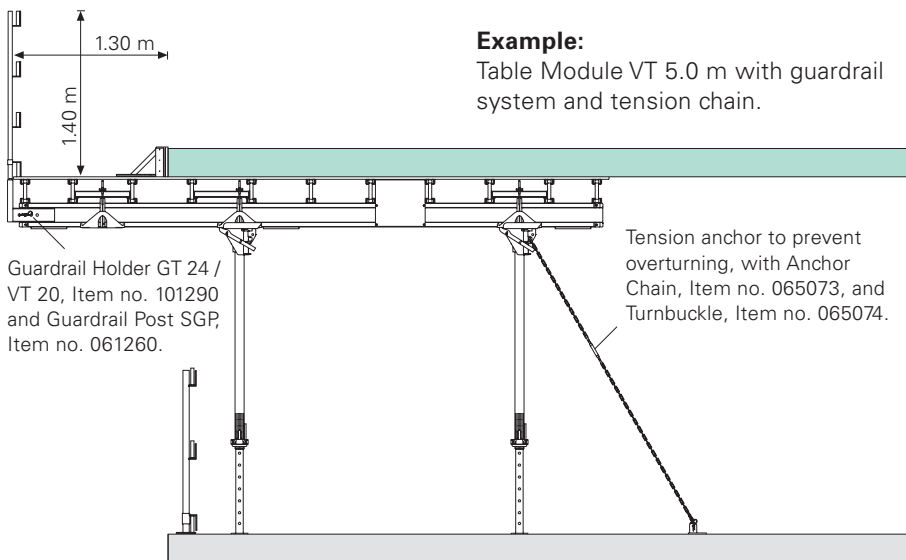
## Slab edge tables with safety guardrail



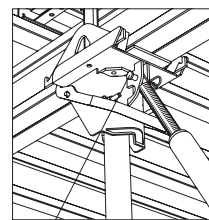
**The PERI Table Modules VT can also be used as cantilevering slab edge tables.**

PERI Table Modules VT 250 / 265 x 500 with guardrail system.

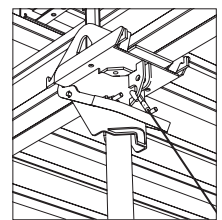
The Table Swivel Head is fitted to the 5.0 m Table Modul VT to enable it to be used at the edge of the slab. The guardrails are pre-assembled on the ground.



**1. Anchoring with push-pull prop**

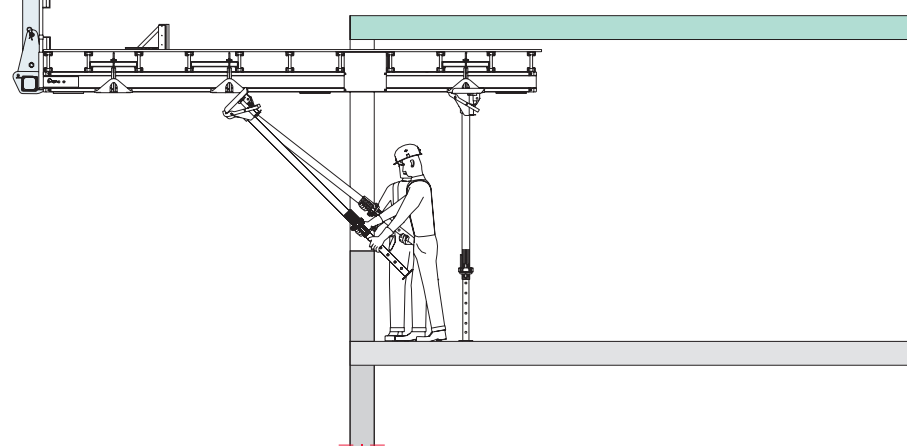
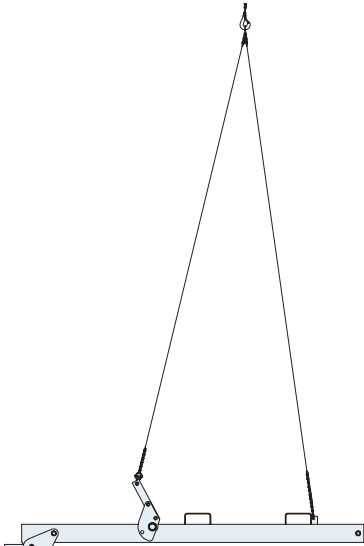


**2. Anchoring with chain**



**Note:**

Pin  $\varnothing$  16 x 65 and Cotter Pin 4/1 are to be ordered separately.



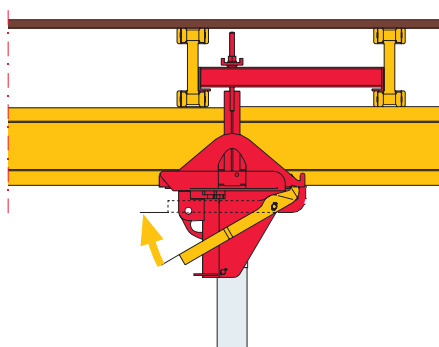
Cantilevering Table Modules VT. The anchoring chain is clearly shown here.

**Table Swivel Head folding sequence**

The props are folded out of the way in order to negotiate parapets or down-stand beams.

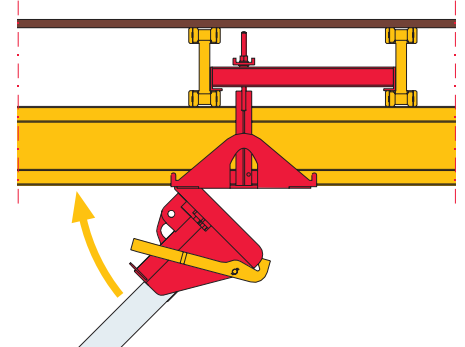
**1. Raise bar**

A board can be used to reach higher tables from the slab below.



**2. Fold prop up**

The table can now be moved out. The swivel head's bar re-locks when the prop is allowed to swing down again.



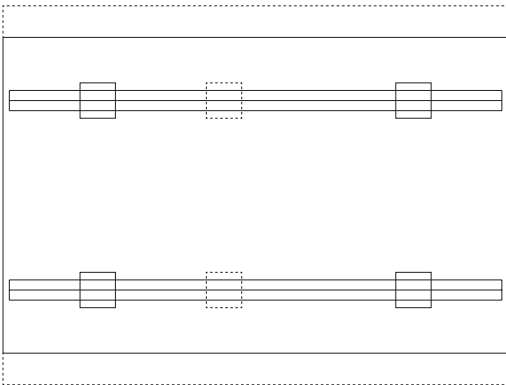
# Slab Table

## VT Table Module, L = 4.00 m

| Table Module L = 4.00 m   |                            | VT 200/215 x 400 |       | VT 250/265 x 400 |        |
|---------------------------|----------------------------|------------------|-------|------------------|--------|
| Width of Influence EB [m] |                            | 2.20             | 2.70  | 2.70             | 3.15   |
| Vers. 1                   | Perm. Slab Thickness d [m] | 0.50             | 0.40* | 0.40*            | 0.35** |
|                           | Actual Leg Load [kN]       | 34.6             | 35.2  | 35.2             | 36.8   |
| Vers. 2                   | Perm. Slab Thickness d [m] | 0.60             | 0.60* | 0.60*            | 0.50** |
|                           | Actual Leg Load [kN]       | 33.7             | 41.3  | 41.3             | 40.2   |

### Note:

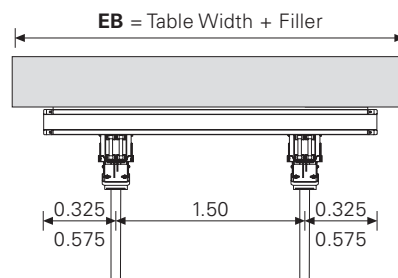
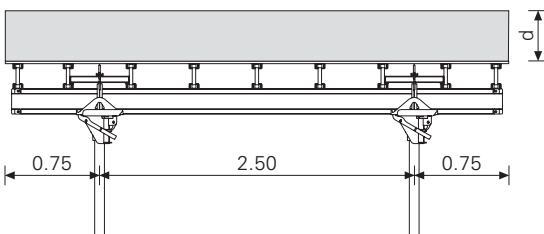
Intermediate values of the permissible loads and resultant leg loads may be interpolated linear.



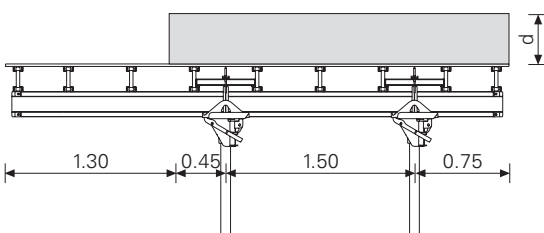
### Safety Note:

\*Stability is no longer given in case of slabs thicker than \*0.30 m. \*\*0.15 m. Concreting must therefore be carried out in several pours or layers. or additional supports at the table edges to be provided.

### Version 1



### Version 2



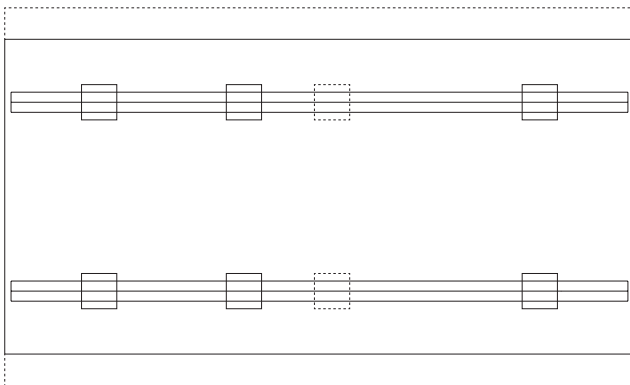
# VT Table Module, L = 5.00 m

| Table Module L = 5.00 m   |                            | VT 200/215 x 500 |       | VT 250/265 x 500 |        |
|---------------------------|----------------------------|------------------|-------|------------------|--------|
| Width of Influence EB [m] |                            | 2.20             | 2.70  | 2.70             | 3.15   |
| Vers. 1                   | Perm. Slab Thickness d [m] | 0.50             | 0.40* | 0.40*            | 0.35** |
|                           | Actual Leg Load [kN]       | 34.6             | 35.2  | 35.2             | 36.8   |
| Vers. 2                   | Perm. Slab Thickness d [m] | 0.50             | 0.40* | 0.40*            | 0.35** |
|                           | Actual Leg Load [kN]       | 34.6             | 35.2  | 35.2             | 36.8   |
| Vers. 3                   | Perm. Slab Thickness d [m] | 0.60             | 0.55* | 0.55*            | 0.45** |
|                           | Actual Leg Load [kN]       | 36.0             | 39.9  | 39.9             | 39.9   |

**Note:**

Intermediate values of the permissible loads and resultant leg loads may be interpolated linear.

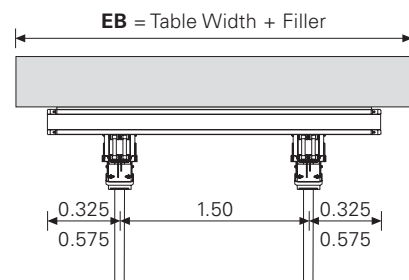
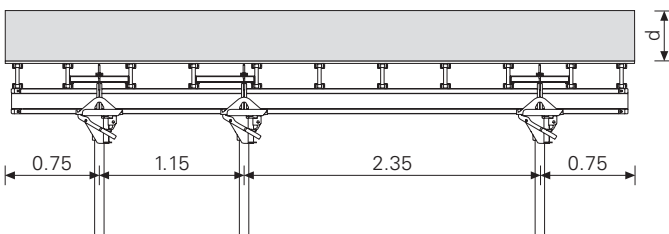
For version 3, the Table Swivel Head must be repositioned.



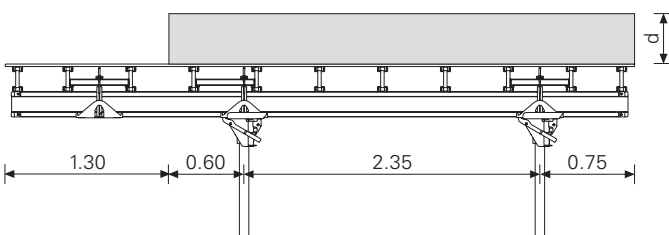
**Safety Note:**

\*Stability is no longer given in case of slabs thicker than \*0.30 m, \*\*0.15 m. Concreting must therefore be carried out in several pours or layers, or additional supports at the table edges to be provided.

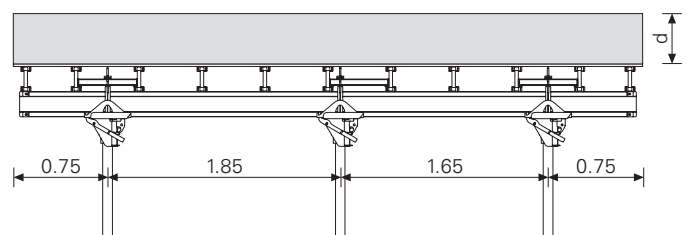
**Version 1**



**Version 2**



**Version 3**





# UNIportal Table

## The customised slab table

**A table designed to suit the particular structure is often the most cost-effective solution.**

It allows infill areas to be reduced to a minimum. Girder spans and prop load capacities can be optimised for the slab thickness. The UNIportal customised table is particularly stable for high slabs and large tables.

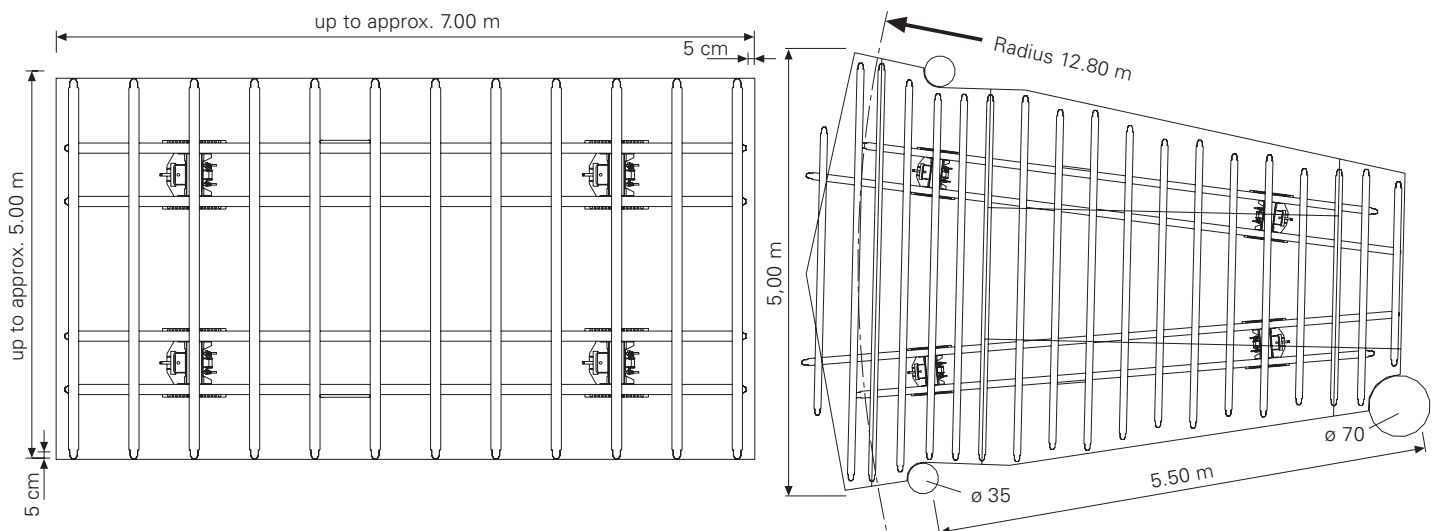
Both longitudinal and transverse bracing is required for greater heights.



### The customised table:

The UNIportal system allows any size and shape of table to be chosen, basically subject only to the geometric and structural constraints.

Trapezoidal-shaped slab tables for a circular office building. Table size: 7.00 x 4.65 / 2.50 m.







**After striking, the props are simply folded out of the way to allow negotiation of any parapets or downstand beams.**

The props are operated from the slab. The prop returns to the vertical position after the table has been swung out over the parapet.



Vertical moving of PERI slab tables.

UNIPORTAL customised table for construction of an office building with complex geometry.

# UNIportal Table

## The customised slab table



Slab edge tables with integrated safety guardrail for an administration building.



Trapezoidal-shaped UNIportal slab tables for a circular office building.





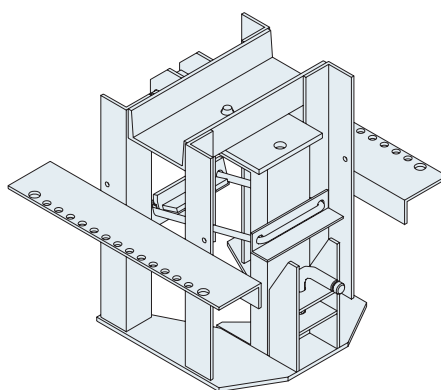
UNIportal slab tables for constructing an administration building.



Cantilevered PERI UNIportal edge tables with guardrails.



Moving of 5.40 m x 7.00 m UNIportal slab tables.

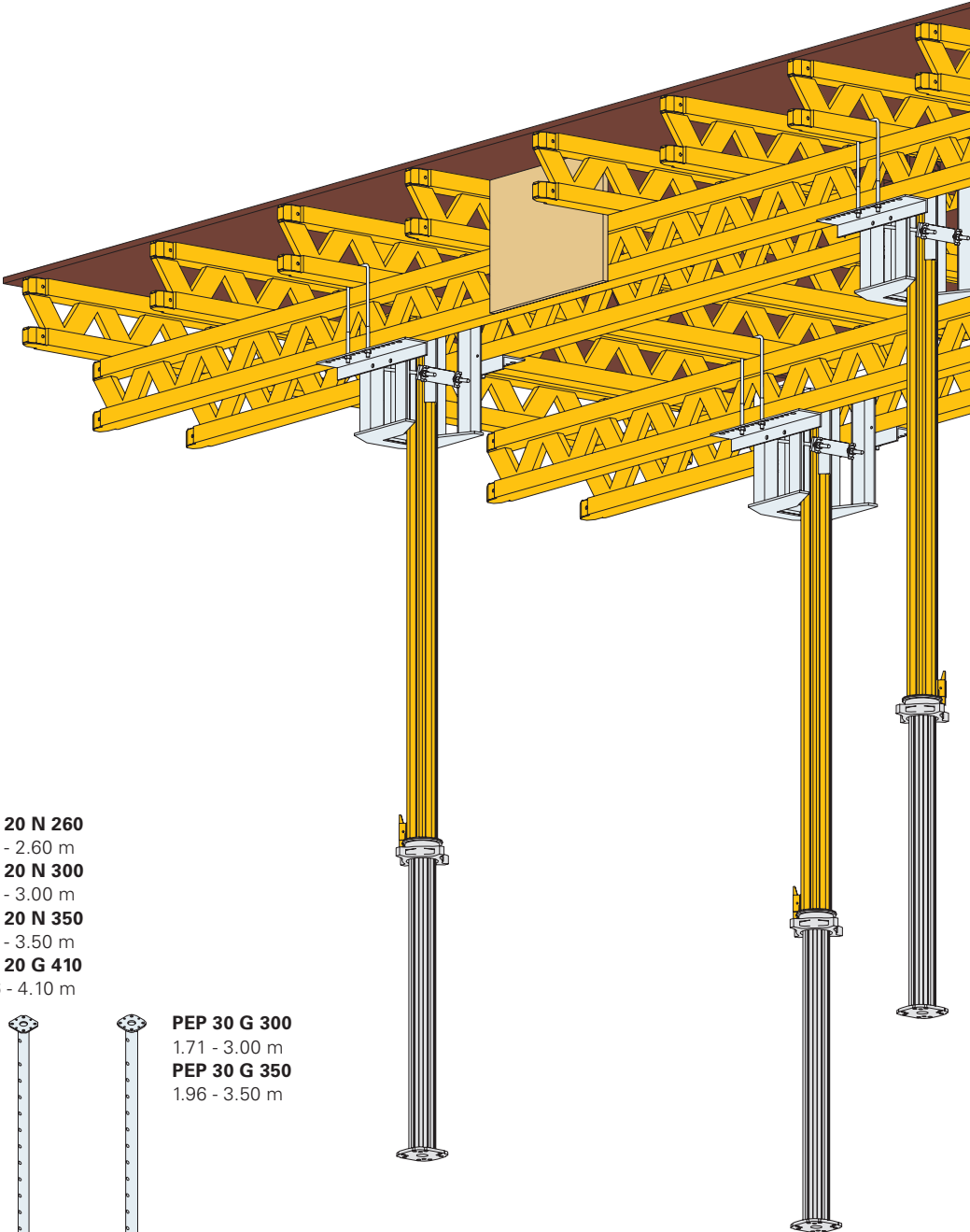
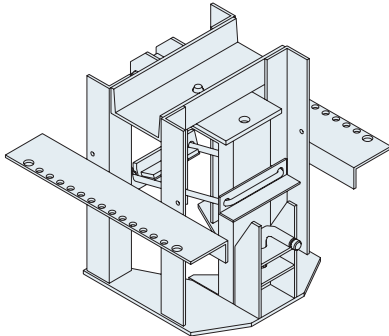


**UNIportal Head, galv.**  
Item no. 028500

# UNIportal Table

## 4 Components of a UNIportal Table

### The UNIportal Head



### The slab props

**MP 625**  
4.30 - 6.25 m

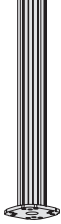
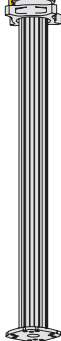
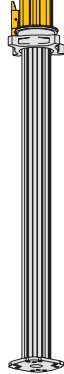
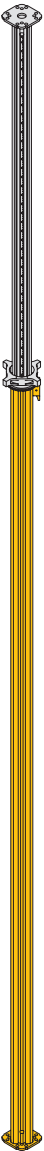
**MP 480**  
2.60 - 4.80 m

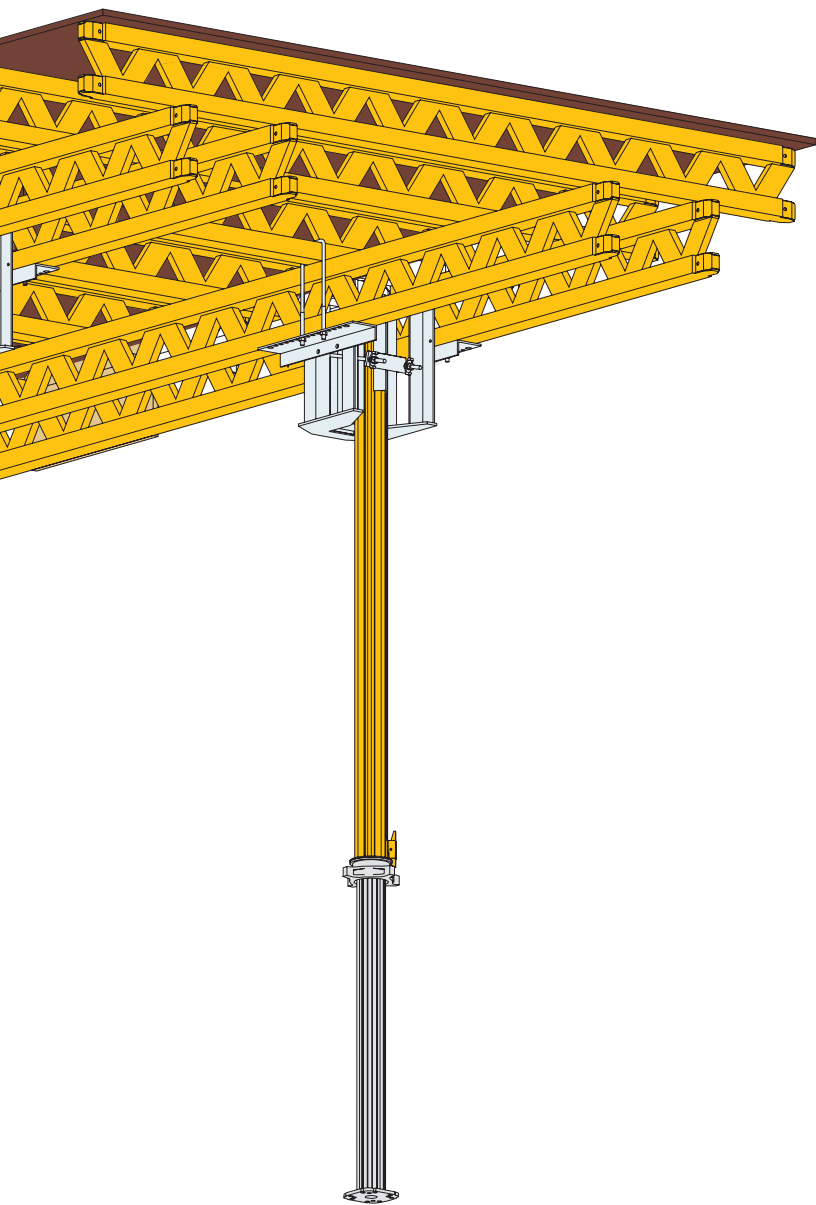
**MP 350**  
1.95 - 3.50 m

**MP 250**  
1.45 - 2.50 m

**PEP 20 N 260**  
1.51 - 2.60 m  
**PEP 20 N 300**  
1.71 - 3.00 m  
**PEP 20 N 350**  
1.96 - 3.50 m  
**PEP 20 G 410**  
2.26 - 4.10 m

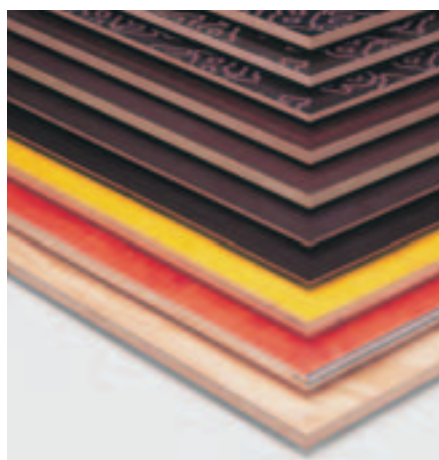
**PEP 30 G 300**  
1.71 - 3.00 m  
**PEP 30 G 350**  
1.96 - 3.50 m



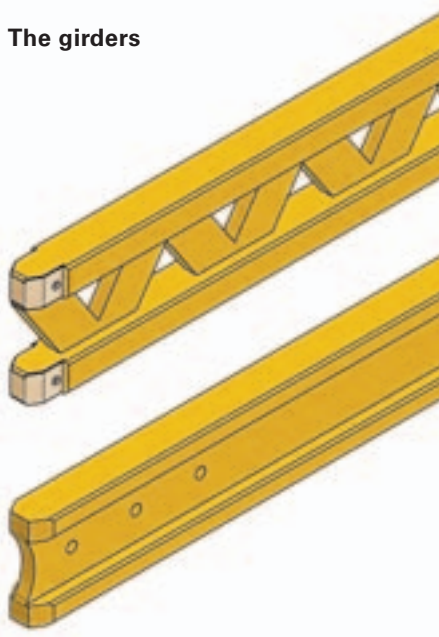


**The plywood**

The right plywood for every requirement. PERI plywood comes in different sizes, thicknesses and grades to ensure you always have the right formlining available for your site.



**The girders**



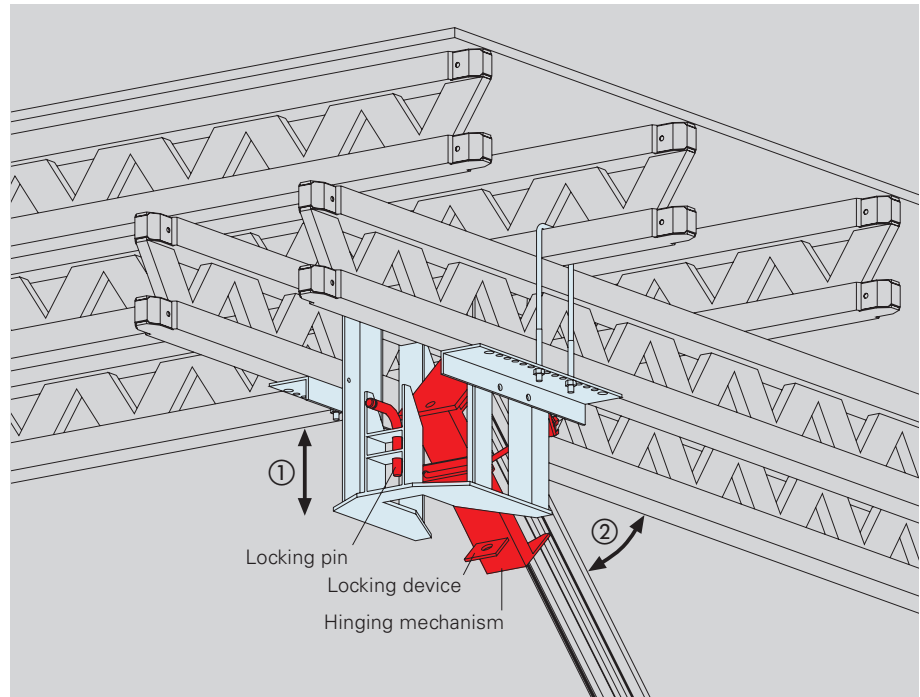
**GT 24**  
As main and secondary girder

**VT 20**  
As main and secondary girder

# UNIPORTAL Table

## Principle of operation of a UNIPORTAL Head

**The PERI UNIPORTAL Head allows the props to be folded in one direction.** This is particularly advantageous when negotiating parapets or downstand beams.

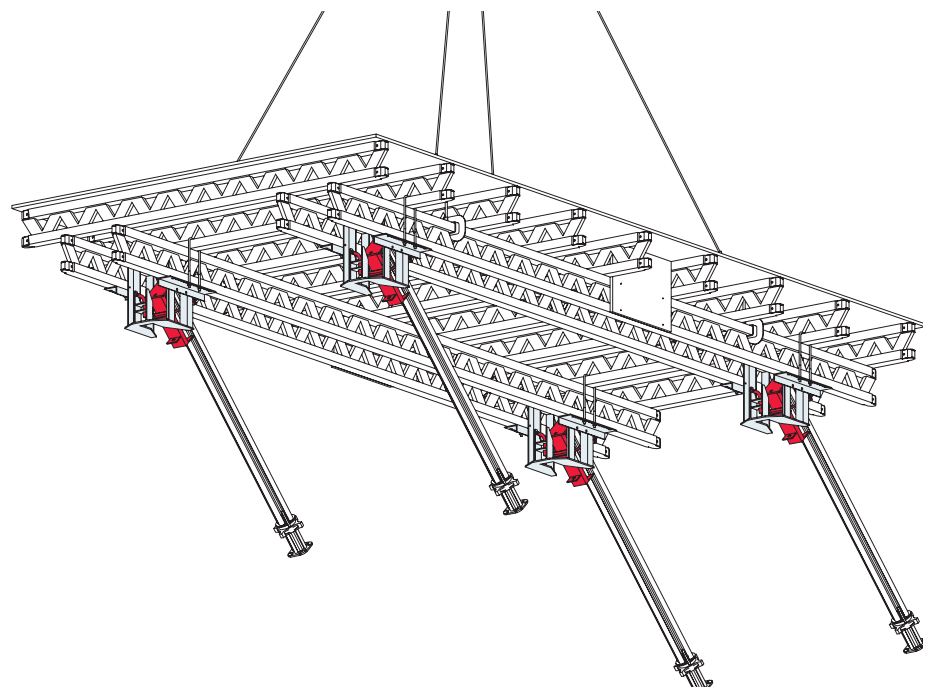


**1.** Use a board to lift the locking pin while standing on the slab below, and fold the prop.

**2.** Swing prop down again with hinging mechanism. In so doing, the locking pin is engaged in the locking device.

### Connecting props

Slab props from  $\varnothing 57$  mm and PERI MULTIPROPS can be clamped to the outer or inner tube.



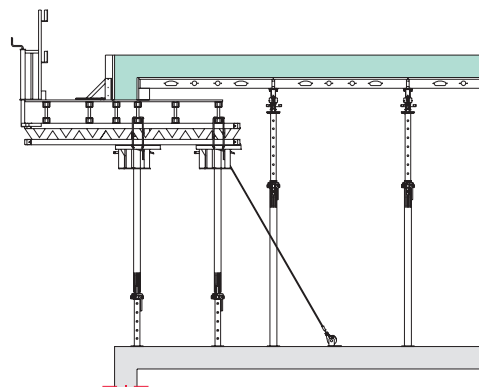
The UNIPORTAL clamping device can easily be operated with just a hammer.



# With other slab formwork systems

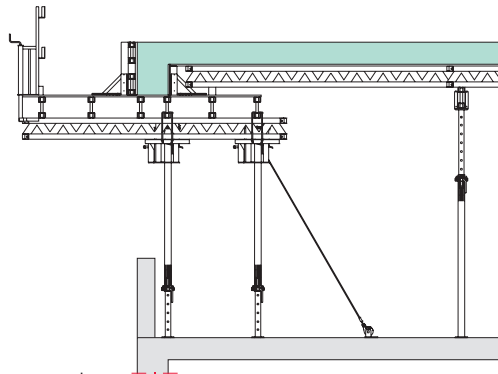
## With PERI SKYDECK

The lightweight panel slab formwork.



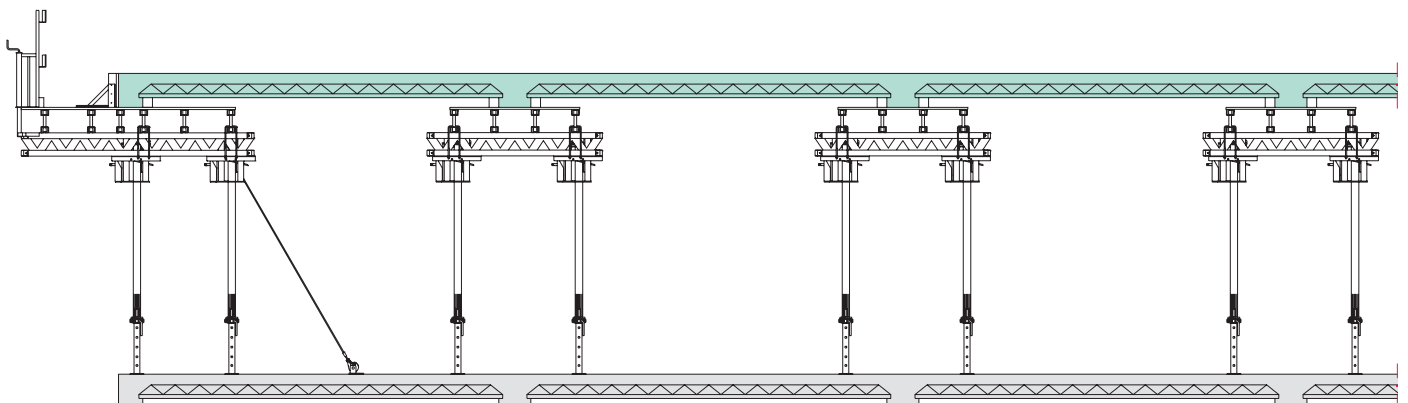
## With PERI MULTIFLEX

The girder slab formwork.



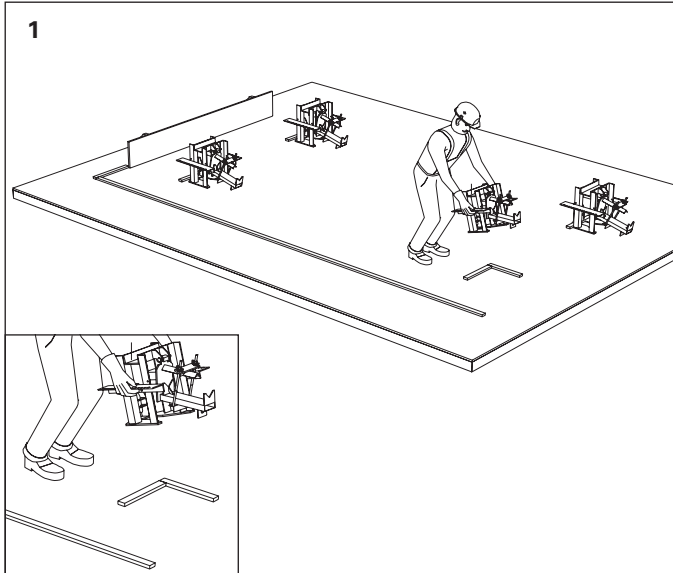
## With precast slab panels

To support downstand beams and precast panels.



# UNIportal Table

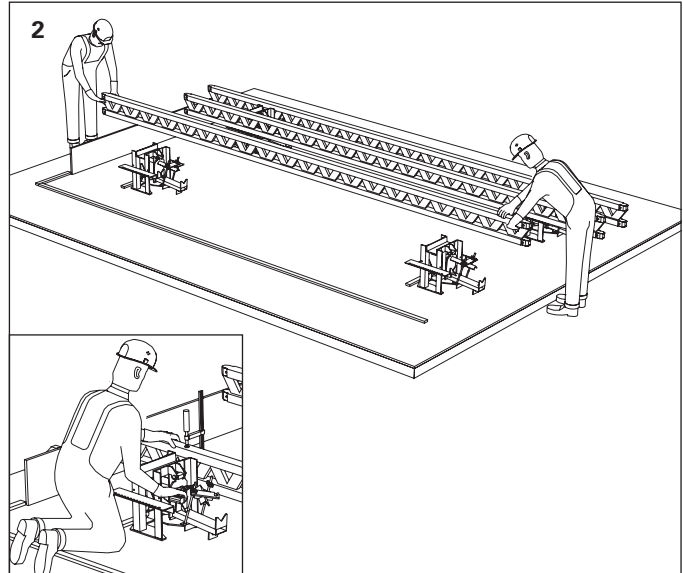
## Assembly sequence



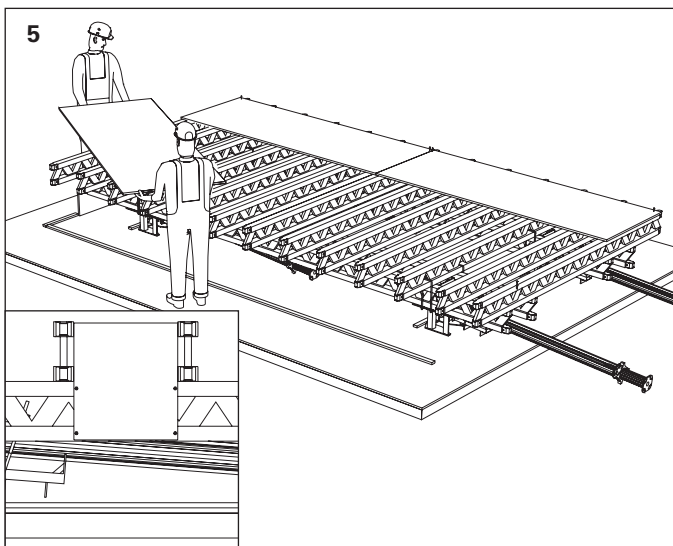
A flat, level assembly platform is required. Prepare locating battens for heads and girders as shown on assembly drawings.

**Note:**

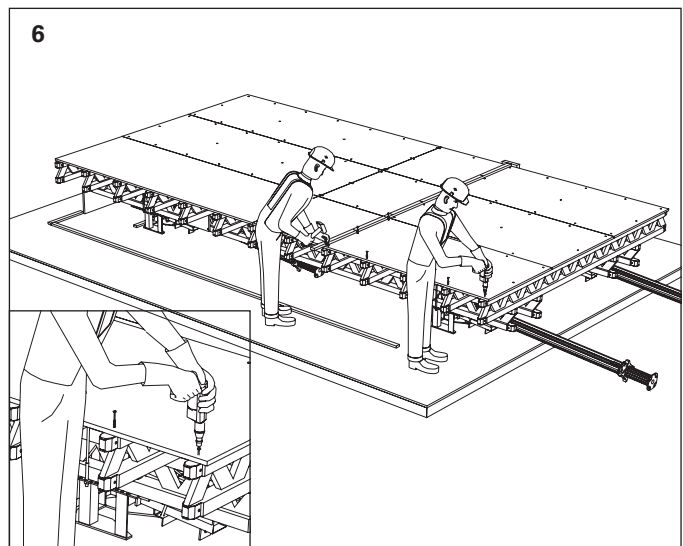
It is essential to point the UNIportal heads in the direction required for folding.



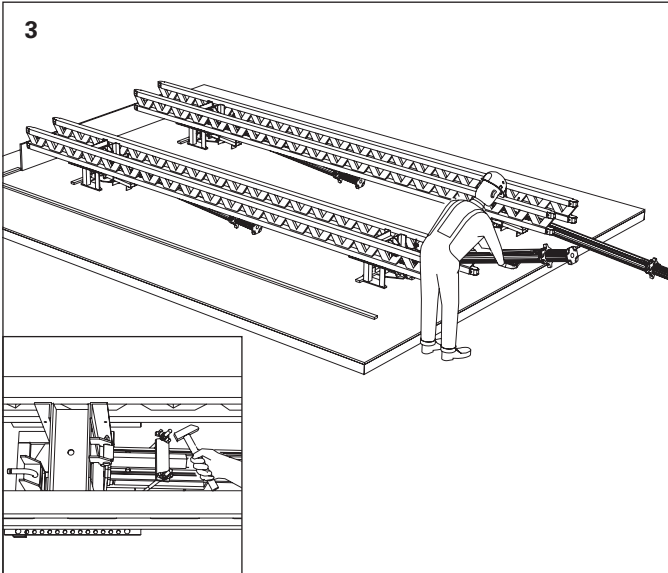
Lay main girders on UNIportal heads, align and fix with C clamps. Secure with M 8x60 lag screw, Item no. 024270, at each fixing point.



Now fix the nogging-piece to the two outside main girders. Cut piece of scrap form lining to size and screw on. Lay sheets of plywood on and align.



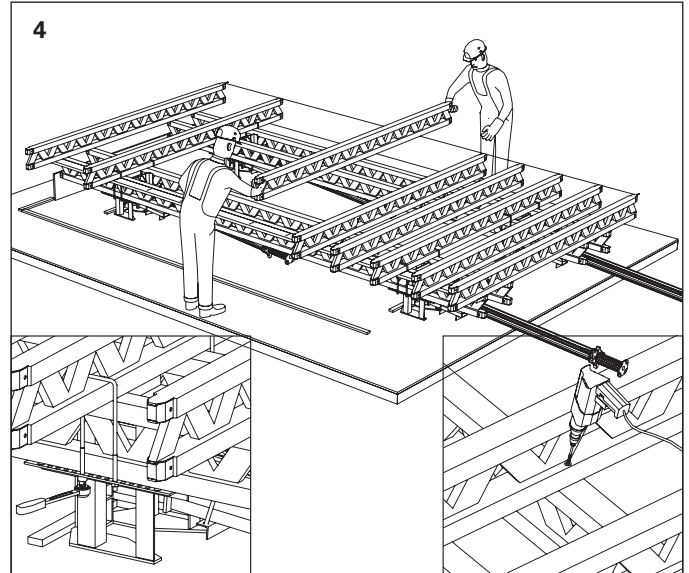
Screw the plywood down with approx. 10 pieces 6 x 60 torx screws, Item no. 024470. A marking gauge makes the work easier.



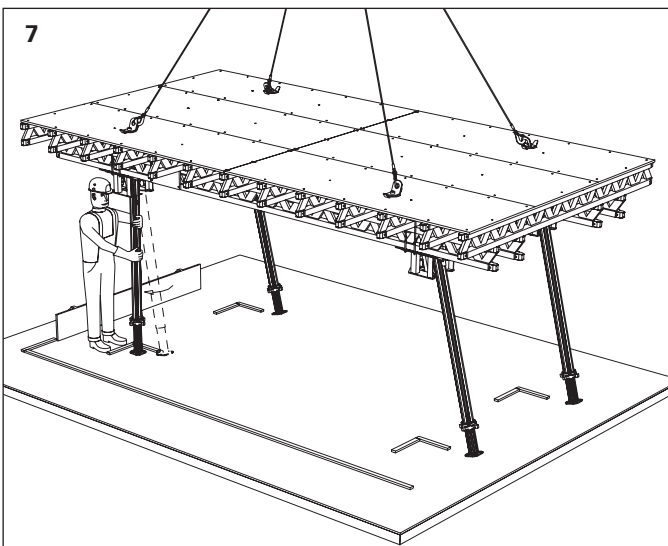
The quick-action clamp has to be released to allow fitting of props. Push prop fully home and tighten wingnuts.

**Note:**

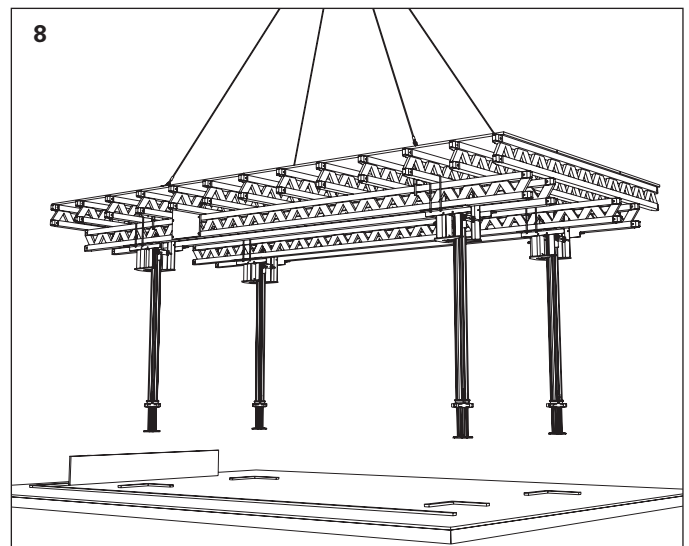
It only makes sense to fit the props during site assembly. The head can also be removed by releasing the pin, and mounted on the prop separate from the table. Release pin and remove head piece.



Mark spacing of secondary girders, lay in position and align. Clamp the secondary girder over the head with 2 tension hoops, Item no. 028550. Fix the remaining girders with spax screws TX 30, 6 x 100, Item no. 024950, and washers.



Depending on the design, the UNIPORTAL crane lifting units are now fitted. Suspend table from crane and lift. Swing props down into vertical position and lock.



The fully assembled UNIPORTAL slab table can now be taken to the point of use.

# Slab Table UNIPORTAL

## With Main Girder 2 x GT 24

### Slab Thickness 0.20 m; q = 7.0 kN/m<sup>2</sup>;

| Table Length L [m]  |                           | 2.50        | 3.00        | 3.50        | 4.00        | 4.50        | 5.00        | 6.00        |          |          |
|---------------------|---------------------------|-------------|-------------|-------------|-------------|-------------|-------------|-------------|----------|----------|
| Typ 4 c [m] / l [m] |                           | 0.45 / 1.60 | 0.50 / 2.00 | 0.55 / 2.40 | 0.60 / 2.80 | 0.65 / 3.20 | 0.70 / 3.60 |             |          |          |
| Typ 6 c [m] / l [m] |                           |             |             |             | 0.60 / 1.40 | 0.65 / 1.60 | 0.70 / 1.80 | 0.80 / 2.20 |          |          |
| Table Width B [m]   | Main Girder Spacing b [m] | 2.50        | 1.60        | 4 / 10.9    | 4 / 13.1    | 4 / 15.3    | 4 / 17.5    | 4 / 19.7    | 4 / 21.9 | 6 / 20.2 |
|                     |                           | 3.00        | 2.00        | 4 / 13.1    | 4 / 15.8    | 4 / 18.4    | 4 / 21.0    | 4 / 23.6    | 6 / 19.3 | 6 / 24.3 |
|                     |                           | 3.50        | 2.40        | 4 / 15.3    | 4 / 18.4    | 4 / 21.4    | 4 / 24.5    | 4 / 27.6    | 6 / 22.6 | 6 / 28.3 |
|                     |                           | 4.00        | 2.80        | 4 / 17.5    | 4 / 21.0    | 4 / 24.5    | 4 / 28.0    | 6 / 22.5    | 6 / 25.8 | 6 / 32.4 |
|                     |                           | 4.50        | 3.20        | 4 / 19.7    | 4 / 23.6    | 4 / 27.6    | 4 / 31.5    | 6 / 25.3    | 6 / 29.0 | 6 / 36.4 |
|                     |                           | 5.00        | 3.60        | 4 / 21.9    | 4 / 26.3    | 4 / 30.6    | 4 / 35.0    | 6 / 28.1    | 6 / 32.2 | 6 / 40.5 |

### Slab Thickness 0.25 m; q = 8.3 kN/m<sup>2</sup>;

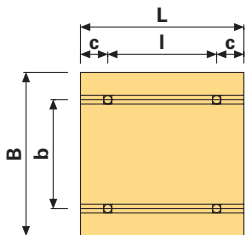
| Table Length L [m]  |                           | 2.50        | 3.00        | 3.50        | 4.00        | 4.50        | 5.00        | 6.00        |          |          |
|---------------------|---------------------------|-------------|-------------|-------------|-------------|-------------|-------------|-------------|----------|----------|
| Typ 4 c [m] / l [m] |                           | 0.45 / 1.60 | 0.50 / 2.00 | 0.55 / 2.40 | 0.60 / 2.80 | 0.65 / 3.20 |             |             |          |          |
| Typ 6 c [m] / l [m] |                           |             |             | 0.55 / 1.20 | 0.60 / 1.40 | 0.65 / 1.60 | 0.70 / 1.80 | 0.80 / 2.20 |          |          |
| Table Width B [m]   | Main Girder Spacing b [m] | 2.50        | 1.60        | 4 / 13.0    | 4 / 15.6    | 4 / 18.2    | 4 / 20.8    | 4 / 23.3    | 6 / 19.1 | 6 / 24.0 |
|                     |                           | 3.00        | 2.00        | 4 / 15.6    | 4 / 18.7    | 4 / 21.8    | 4 / 24.9    | 4 / 28.0    | 6 / 22.9 | 6 / 28.8 |
|                     |                           | 3.50        | 2.40        | 4 / 18.2    | 4 / 21.8    | 4 / 25.4    | 4 / 29.1    | 6 / 23.3    | 6 / 26.7 | 6 / 33.6 |
|                     |                           | 4.00        | 2.80        | 4 / 20.8    | 4 / 24.9    | 4 / 29.1    | 4 / 33.2    | 6 / 26.6    | 6 / 30.6 | 6 / 38.4 |
|                     |                           | 4.50        | 3.20        | 4 / 23.3    | 4 / 28.0    | 4 / 32.7    | 6 / 25.5    | 6 / 30.0    | 6 / 34.4 | 6 / 43.2 |
|                     |                           | 5.00        | 3.60        | 4 / 25.9    | 4 / 31.1    | 6 / 24.7    | 6 / 28.3    | 6 / 33.3    | 6 / 38.2 | 6 / 48.0 |

### Slab Thickness 0.30 m; q = 9.7 kN/m<sup>2</sup>;

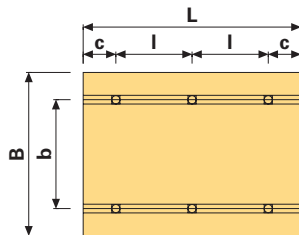
| Table Length L [m]  |                           | 2.50        | 3.00        | 3.50        | 4.00        | 4.50        | 5.00        | 6.00        |          |          |
|---------------------|---------------------------|-------------|-------------|-------------|-------------|-------------|-------------|-------------|----------|----------|
| Typ 4 c [m] / l [m] |                           | 0.45 / 1.60 | 0.50 / 2.00 | 0.55 / 2.40 | 0.60 / 2.80 | 0.65 / 3.20 |             |             |          |          |
| Typ 6 c [m] / l [m] |                           |             |             | 0.55 / 1.20 | 0.60 / 1.40 | 0.65 / 1.60 | 0.70 / 1.80 | 0.80 / 2.20 |          |          |
| Typ 8 c [m] / l [m] |                           |             |             |             |             |             | 0.55 / 1.30 | 0.70 / 1.53 |          |          |
| Table Width B [m]   | Main Girder Spacing b [m] | 2.50        | 1.60        | 4 / 15.1    | 4 / 18.1    | 4 / 21.1    | 4 / 24.2    | 4 / 27.2    | 6 / 22.2 | 6 / 27.9 |
|                     |                           | 3.00        | 2.00        | 4 / 18.1    | 4 / 21.7    | 4 / 25.4    | 4 / 29.0    | 6 / 23.2    | 6 / 26.7 | 6 / 33.5 |
|                     |                           | 3.50        | 2.40        | 4 / 21.1    | 4 / 25.4    | 4 / 29.6    | 4 / 33.8    | 6 / 27.1    | 6 / 31.1 | 6 / 39.1 |
|                     |                           | 4.00        | 2.80        | 4 / 24.2    | 4 / 29.0    | 4 / 33.8    | 6 / 26.4    | 6 / 31.0    | 6 / 35.6 | 6 / 44.7 |
|                     |                           | 4.50        | 3.20        | 4 / 27.2    | 4 / 32.6    | 4 / 38.0    | 6 / 29.7    | 6 / 34.9    | 6 / 40.0 | 6 / 50.3 |
|                     |                           | 5.00        | 3.60        | 4 / 30.2    | 4 / 36.2    | 6 / 28.7    | 6 / 33.0    | 6 / 38.7    | 6 / 44.5 | 6 / 55.9 |

### Type of Table and Prop Load [kN]

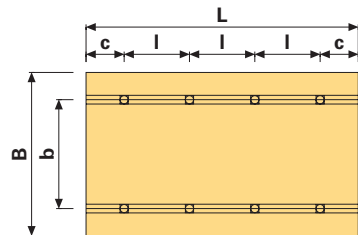
Typ 4



Typ 6



Typ 8

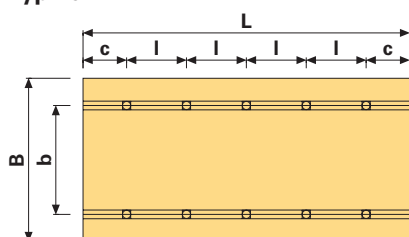


| Slab Thickness 0.35 m; q = 11.2 kN/m <sup>2</sup> ; |                           |      | 2.50        | 3.00        | 3.50        | 4.00        | 4.50        | 5.00        | 6.00        |          |
|---|---------------------------|------|-------------|-------------|-------------|-------------|-------------|-------------|-------------|----------|
| Table Length L [m]                                  |                           |      | 2.50        | 3.00        | 3.50        | 4.00        | 4.50        | 5.00        | 6.00        |          |
| Typ 4 c [m] / l [m]                                 |                           |      | 0.45 / 1.60 | 0.50 / 2.00 | 0.55 / 2.40 |             |             |             |             |          |
| Typ 6 c [m] / l [m]                                 |                           |      |             |             | 0.55 / 1.20 | 0.60 / 1.40 | 0.65 / 1.60 | 0.70 / 1.80 | 0.80 / 2.20 |          |
| Typ 8 c [m] / l [m]                                 |                           |      |             |             |             |             |             |             | 0.70 / 1.53 |          |
| Table Width B [m]                                   | Main Girder Spacing b [m] | 2.50 | 1.60        | 4 / 17.5    | 4 / 21.0    | 4 / 24.5    | 4 / 28.1    | 6 / 22.5    | 6 / 25.8    | 6 / 32.4 |
|   |                           | 3.00 | 2.00        | 4 / 21.0    | 4 / 25.2    | 4 / 29.5    | 4 / 33.7    | 6 / 27.0    | 6 / 31.0    | 6 / 38.9 |
|   |                           | 3.50 | 2.40        | 4 / 24.5    | 4 / 29.5    | 4 / 34.4    | 4 / 39.3    | 6 / 31.5    | 6 / 36.2    | 6 / 45.4 |
|   |                           | 4.00 | 2.80        | 4 / 28.1    | 4 / 33.7    | 4 / 39.3    | 6 / 30.6    | 6 / 36.0    | 6 / 41.3    | 6 / 51.9 |
|   |                           | 4.50 | 3.20        | 4 / 31.6    | 4 / 37.9    | 6 / 30.0    | 6 / 34.4    | 6 / 40.5    | 6 / 46.5    | 6 / 38.0 |
|   |                           | 5.00 | 3.60        | 4 / 35.1    | 4 / 42.1    | 6 / 33.4    | 6 / 38.3    | 6 / 45.0    | 6 / 51.7    | 8 / 42.2 |

| Slab Thickness 0.40 m; q = 12.8 kN/m <sup>2</sup> ; |                           |      | 2.50        | 3.00        | 3.50        | 4.00        | 4.50        | 5.00        | 6.00        |          |
|---|---------------------------|------|-------------|-------------|-------------|-------------|-------------|-------------|-------------|----------|
| Table Length L [m]                                  |                           |      | 2.50        | 3.00        | 3.50        | 4.00        | 4.50        | 5.00        | 6.00        |          |
| Typ 4 c [m] / l [m]                                 |                           |      | 0.45 / 1.60 | 0.50 / 2.00 | 0.55 / 2.40 | 0.60 / 2.80 |             |             |             |          |
| Typ 6 c [m] / l [m]                                 |                           |      |             | 0.45 / 1.05 | 0.55 / 1.20 | 0.60 / 1.40 | 0.65 / 1.60 | 0.70 / 1.80 | 0.80 / 2.20 |          |
| Typ 8 c [m] / l [m]                                 |                           |      |             |             |             |             |             | 0.55 / 1.30 | 0.70 / 1.53 |          |
| Table Width B [m]                                   | Main Girder Spacing b [m] | 2.50 | 1.60        | 4 / 20.0    | 4 / 24.0    | 4 / 28.0    | 4 / 32.0    | 6 / 25.6    | 6 / 29.4    | 6 / 37.0 |
|   |                           | 3.00 | 2.00        | 4 / 24.0    | 4 / 28.8    | 4 / 33.5    | 6 / 26.2    | 6 / 30.7    | 6 / 35.3    | 6 / 44.4 |
|   |                           | 3.50 | 2.40        | 4 / 28.0    | 4 / 33.5    | 4 / 39.1    | 6 / 30.5    | 6 / 35.9    | 6 / 41.2    | 6 / 51.7 |
|   |                           | 4.00 | 2.80        | 4 / 32.0    | 4 / 38.3    | 6 / 30.4    | 6 / 34.9    | 6 / 41.0    | 6 / 47.1    | 8 / 38.5 |
|   |                           | 4.50 | 3.20        | 4 / 35.9    | 6 / 29.6    | 6 / 34.2    | 6 / 39.2    | 6 / 46.1    | 6 / 53.0    | 8 / 43.3 |
|   |                           | 5.00 | 3.60        | 4 / 39.9    | 6 / 32.9    | 6 / 38.0    | 6 / 43.6    | 6 / 51.2    | 8 / 41.2    | 8 / 48.1 |

| Slab Thickness 0.50 m; q = 15.9 kN/m <sup>2</sup> ; |                           |      | 2.50        | 3.00        | 3.50        | 4.00        | 4.50        | 5.00        | 6.00        |           |
|---|---------------------------|------|-------------|-------------|-------------|-------------|-------------|-------------|-------------|-----------|
| Table Length L [m]                                  |                           |      | 2.50        | 3.00        | 3.50        | 4.00        | 4.50        | 5.00        | 6.00        |           |
| Typ 4 c [m] / l [m]                                 |                           |      | 0.45 / 1.60 | 0.50 / 2.00 |             |             |             |             |             |           |
| Typ 6 c [m] / l [m]                                 |                           |      | 0.40 / 0.85 | 0.45 / 1.05 | 0.55 / 1.20 | 0.60 / 1.40 | 0.65 / 1.60 | 0.70 / 1.80 | 0.80 / 2.20 |           |
| Typ 8 c [m] / l [m]                                 |                           |      |             |             |             | 0.45 / 1.03 | 0.50 / 1.17 | 0.55 / 1.30 | 0.70 / 1.53 |           |
| Typ 10 c [m] / l [m]                                |                           |      |             |             |             |             |             |             | 0.55 / 1.23 |           |
| Table Width B [m]                                   | Main Girder Spacing b [m] | 2.50 | 1.60        | 4 / 24.8    | 4 / 29.8    | 4 / 34.8    | 6 / 27.1    | 6 / 31.9    | 6 / 36.6    | 6 / 46.0  |
|   |                           | 3.00 | 2.00        | 4 / 29.8    | 4 / 35.8    | 6 / 28.4    | 6 / 32.5    | 6 / 38.3    | 6 / 43.9    | 6 / 55.2  |
|   |                           | 3.50 | 2.40        | 4 / 34.8    | 4 / 41.7    | 6 / 33.1    | 6 / 38.0    | 6 / 44.6    | 6 / 51.2    | 8 / 41.9  |
|   |                           | 4.00 | 2.80        | 4 / 39.8    | 6 / 32.7    | 6 / 37.8    | 6 / 43.4    | 6 / 51.0    | 8 / 41.0    | 8 / 47.9  |
|   |                           | 4.50 | 3.20        | 6 / 30.8    | 6 / 36.8    | 6 / 42.6    | 6 / 48.8    | 8 / 41.3    | 8 / 46.2    | 10 / 44.5 |
|   |                           | 5.00 | 3.60        | 6 / 34.2    | 6 / 40.9    | 6 / 47.3    | 8 / 40.5    | 8 / 45.9    | 8 / 51.3    | 10 / 49.4 |

**Type of Table and Prop Load [kN]  
Typ 10**



**Twin Main Girder GT 24**

perm. M = 2 x 7 kNm  
perm. Q = 2 x 14 kN  
perm. A = 2 x 28 kN

**Load according to DIN 4421  
Shoring System Class III**

Dead load  $g = 0.30 \text{ kN/m}^2$   
Concrete load  $b = 26 \text{ kN/m}^3 \times d \text{ (m)}$   
Live load  $p = 0.20 \times b$   
 $1.5 \leq p \leq 5.0 \text{ kN/m}^2$   
Total load  $q = g + b + p$

# Slab Table UNIPORTAL

## With Main Girder 2 x VT 20

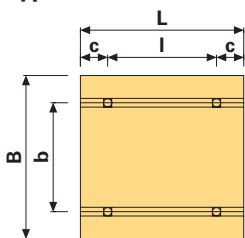
| Slab Thickness 0.20 m; q = 7.0 kN/m <sup>2</sup> ; |                           |             |             |             |             |             |             |             |          |          |
|--|---------------------------|-------------|-------------|-------------|-------------|-------------|-------------|-------------|----------|----------|
| Table Length L [m]                                 |                           | 2.50        | 3.00        | 3.50        | 4.00        | 4.50        | 5.00        | 6.00        |          |          |
| Typ 4 c [m] / l [m]                                |                           | 0.45 / 1.60 | 0.50 / 2.00 | 0.55 / 2.40 | 0.60 / 2.80 | 0.65 / 3.20 |             |             |          |          |
| Typ 6 c [m] / l [m]                                |                           |             |             |             | 0.60 / 1.40 | 0.65 / 1.60 | 0.70 / 1.80 | 0.80 / 2.20 |          |          |
| Table Width B [m]                                  | Main Girder Spacing b [m] | 2.50        | 1.60        | 4 / 10.9    | 4 / 13.1    | 4 / 15.3    | 4 / 17.5    | 4 / 19.7    | 6 / 16.1 | 6 / 20.2 |
|  |                           | 3.00        | 2.00        | 4 / 13.1    | 4 / 15.8    | 4 / 18.4    | 4 / 21.0    | 6 / 16.8    | 6 / 19.3 | 6 / 24.3 |
|  |                           | 3.50        | 2.40        | 4 / 15.3    | 4 / 18.4    | 4 / 21.4    | 4 / 24.5    | 6 / 19.6    | 6 / 22.6 | 6 / 28.3 |
|  |                           | 4.00        | 2.80        | 4 / 17.5    | 4 / 21.0    | 4 / 24.5    | 6 / 19.1    | 6 / 22.5    | 6 / 25.8 | 6 / 32.4 |
|  |                           | 4.50        | 3.20        | 4 / 19.7    | 4 / 23.6    | 4 / 27.6    | 6 / 21.5    | 6 / 25.3    | 6 / 29.0 | 6 / 36.4 |
|  |                           | 5.00        | 3.60        | 4 / 21.9    | 4 / 26.3    | 4 / 30.6    | 6 / 23.9    | 6 / 28.1    | 6 / 32.2 | 6 / 40.5 |

| Slab Thickness 0.25 m; q = 8.3 kN/m <sup>2</sup> ; |                           |             |             |             |             |             |             |             |          |          |
|--|---------------------------|-------------|-------------|-------------|-------------|-------------|-------------|-------------|----------|----------|
| Table Length L [m]                                 |                           | 2.50        | 3.00        | 3.50        | 4.00        | 4.50        | 5.00        | 6.00        |          |          |
| Typ 4 c [m] / l [m]                                |                           | 0.45 / 1.60 | 0.50 / 2.00 | 0.55 / 2.40 | 0.60 / 2.80 |             |             |             |          |          |
| Typ 6 c [m] / l [m]                                |                           |             |             | 0.55 / 1.20 | 0.60 / 1.40 | 0.65 / 1.60 | 0.70 / 1.80 | 0.80 / 2.20 |          |          |
| Typ 8 c [m] / l [m]                                |                           |             |             |             |             |             |             | 0.70 / 1.53 |          |          |
| Table Width B [m]                                  | Main Girder Spacing b [m] | 2.50        | 1.60        | 4 / 13.0    | 4 / 15.6    | 4 / 18.2    | 4 / 20.8    | 6 / 16.6    | 6 / 19.1 | 6 / 24.0 |
|  |                           | 3.00        | 2.00        | 4 / 15.6    | 4 / 18.7    | 4 / 21.8    | 4 / 24.9    | 6 / 20.0    | 6 / 22.9 | 6 / 28.8 |
|  |                           | 3.50        | 2.40        | 4 / 18.2    | 4 / 21.8    | 4 / 25.4    | 6 / 19.8    | 6 / 23.3    | 6 / 26.7 | 6 / 33.6 |
|  |                           | 4.00        | 2.80        | 4 / 20.8    | 4 / 24.9    | 4 / 29.1    | 6 / 22.6    | 6 / 26.6    | 6 / 30.6 | 6 / 38.4 |
|  |                           | 4.50        | 3.20        | 4 / 23.3    | 4 / 28.0    | 6 / 22.2    | 6 / 25.5    | 6 / 30.0    | 6 / 34.4 | 6 / 43.2 |
|  |                           | 5.00        | 3.60        | 4 / 25.9    | 4 / 31.1    | 6 / 24.7    | 6 / 28.3    | 6 / 33.3    | 6 / 38.2 | 8 / 31.2 |

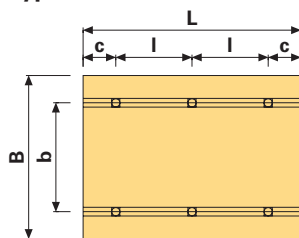
| Slab Thickness 0.30 m; q = 9.7 kN/m <sup>2</sup> ; |                           |             |             |             |             |             |             |             |          |          |
|--|---------------------------|-------------|-------------|-------------|-------------|-------------|-------------|-------------|----------|----------|
| Table Length L [m]                                 |                           | 2.50        | 3.00        | 3.50        | 4.00        | 4.50        | 5.00        | 6.00        |          |          |
| Typ 4 c [m] / l [m]                                |                           | 0.45 / 1.60 | 0.50 / 2.00 | 0.55 / 2.40 | 0.60 / 2.80 |             |             |             |          |          |
| Typ 6 c [m] / l [m]                                |                           |             |             | 0.55 / 1.20 | 0.60 / 1.40 | 0.65 / 1.60 | 0.70 / 1.80 | 0.80 / 2.20 |          |          |
| Typ 8 c [m] / l [m]                                |                           |             |             |             |             |             | 0.55 / 1.30 | 0.70 / 1.53 |          |          |
| Table Width B [m]                                  | Main Girder Spacing b [m] | 2.50        | 1.60        | 4 / 15.1    | 4 / 18.1    | 4 / 21.1    | 4 / 24.2    | 6 / 19.4    | 6 / 22.2 | 6 / 27.9 |
|  |                           | 3.00        | 2.00        | 4 / 18.1    | 4 / 21.7    | 4 / 25.4    | 6 / 19.8    | 6 / 23.2    | 6 / 26.7 | 6 / 33.5 |
|  |                           | 3.50        | 2.40        | 4 / 21.1    | 4 / 25.4    | 4 / 29.6    | 6 / 23.1    | 6 / 27.1    | 6 / 31.1 | 6 / 39.1 |
|  |                           | 4.00        | 2.80        | 4 / 24.2    | 4 / 29.0    | 6 / 23.0    | 6 / 26.4    | 6 / 31.0    | 6 / 35.6 | 8 / 29.1 |
|  |                           | 4.50        | 3.20        | 4 / 27.2    | 4 / 32.6    | 6 / 25.9    | 6 / 29.7    | 6 / 34.9    | 6 / 40.0 | 8 / 32.7 |
|  |                           | 5.00        | 3.60        | 4 / 30.2    | 4 / 36.2    | 6 / 28.7    | 6 / 33.0    | 6 / 38.7    | 8 / 31.2 | 8 / 36.3 |

### Type of Table and Prop Load [kN]

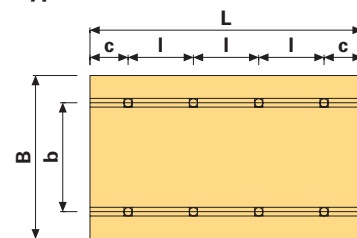
#### Typ 4



#### Typ 6



#### Typ 8





**Slab Thickness 0.35 m; q = 11.2 kN/m<sup>2</sup>;**

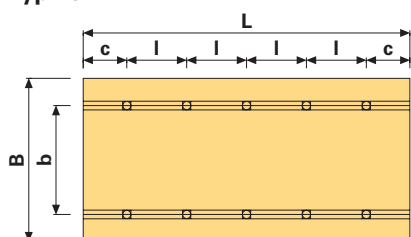
| Table Length L [m]  |                           | 2.50        | 3.00        | 3.50        | 4.00        | 4.50        | 5.00        | 6.00        |          |
|---------------------|---------------------------|-------------|-------------|-------------|-------------|-------------|-------------|-------------|----------|
| Typ 4 c [m] / I [m] |                           | 0.45 / 1.60 | 0.50 / 2.00 | 0.55 / 2.40 |             |             |             |             |          |
| Typ 6 c [m] / I [m] |                           | 0.40 / 0.85 | 0.45 / 1.05 | 0.55 / 1.20 | 0.60 / 1.40 | 0.65 / 1.60 | 0.70 / 1.80 | 0.80 / 2.20 |          |
| Typ 8 c [m] / I [m] |                           |             |             |             |             | 0.50 / 1.17 | 0.55 / 1.30 | 0.70 / 1.53 |          |
| Table Width B [m]   | Main Girder Spacing b [m] | 1.60        | 4 / 17.5    | 4 / 21.0    | 4 / 24.5    | 6 / 19.1    | 6 / 22.5    | 6 / 25.8    | 6 / 32.4 |
|                     |                           | 2.00        | 4 / 21.0    | 4 / 25.2    | 4 / 29.5    | 6 / 23.0    | 6 / 27.0    | 6 / 31.0    | 6 / 38.9 |
|                     |                           | 2.40        | 4 / 24.5    | 4 / 29.5    | 6 / 23.4    | 6 / 26.8    | 6 / 31.5    | 6 / 36.2    | 6 / 45.4 |
|                     |                           | 2.80        | 4 / 28.1    | 6 / 23.1    | 6 / 26.7    | 6 / 30.6    | 6 / 36.0    | 6 / 41.3    | 8 / 33.8 |
|                     |                           | 3.20        | 4 / 31.6    | 6 / 26.0    | 6 / 30.0    | 6 / 34.4    | 6 / 40.5    | 8 / 32.6    | 8 / 38.0 |
|                     |                           | 3.60        | 6 / 24.1    | 6 / 28.8    | 6 / 33.4    | 6 / 38.3    | 8 / 32.4    | 8 / 36.2    | 8 / 42.2 |

**Slab Thickness 0.40 m; q = 12.8 kN/m<sup>2</sup>;**

| Table Length L [m]   |                           | 2.50        | 3.00        | 3.50        | 4.00        | 4.50        | 5.00        | 6.00        |           |
|----------------------|---------------------------|-------------|-------------|-------------|-------------|-------------|-------------|-------------|-----------|
| Typ 4 c [m] / I [m]  |                           | 0.45 / 1.60 | 0.50 / 2.00 | 0.55 / 2.40 |             |             |             |             |           |
| Typ 6 c [m] / I [m]  |                           | 0.40 / 0.85 | 0.45 / 1.05 | 0.55 / 1.20 | 0.60 / 1.40 | 0.65 / 1.60 | 0.70 / 1.80 | 0.80 / 2.20 |           |
| Typ 8 c [m] / I [m]  |                           |             |             |             | 0.45 / 1.03 | 0.50 / 1.17 | 0.55 / 1.30 | 0.70 / 1.53 |           |
| Typ 10 c [m] / I [m] |                           |             |             |             |             |             |             | 0.55 / 1.23 |           |
| Table Width B [m]    | Main Girder Spacing b [m] | 1.60        | 4 / 20.0    | 4 / 24.0    | 4 / 28.0    | 6 / 21.8    | 6 / 25.6    | 6 / 29.4    | 6 / 37.0  |
|                      |                           | 2.00        | 4 / 24.0    | 4 / 28.8    | 6 / 22.8    | 6 / 26.2    | 6 / 30.7    | 6 / 35.3    | 8 / 28.8  |
|                      |                           | 2.40        | 4 / 28.0    | 6 / 23.0    | 6 / 26.6    | 6 / 30.5    | 6 / 35.9    | 6 / 41.2    | 8 / 33.7  |
|                      |                           | 2.80        | 4 / 32.0    | 6 / 26.3    | 6 / 30.4    | 6 / 34.9    | 6 / 41.0    | 8 / 33.0    | 8 / 38.5  |
|                      |                           | 3.20        | 6 / 24.7    | 6 / 29.6    | 6 / 34.2    | 6 / 39.2    | 8 / 33.2    | 8 / 37.1    | 10 / 35.7 |
|                      |                           | 3.60        | 6 / 27.5    | 6 / 32.9    | 6 / 38.0    | 8 / 32.6    | 8 / 36.9    | 8 / 41.2    | 10 / 39.7 |

**Slab Thickness 0.50 m; q = 15.9 kN/m<sup>2</sup>;**

| Table Length L [m]   |                           | 2.50        | 3.00        | 3.50        | 4.00        | 4.50        | 5.00        | 6.00        |           |
|----------------------|---------------------------|-------------|-------------|-------------|-------------|-------------|-------------|-------------|-----------|
| Typ 4 c [m] / I [m]  |                           | 0.45 / 1.60 | 0.50 / 2.00 |             |             |             |             |             |           |
| Typ 6 c [m] / I [m]  |                           | 0.40 / 0.85 | 0.45 / 1.05 | 0.55 / 1.20 | 0.60 / 1.40 | 0.65 / 1.60 | 0.70 / 1.80 | 0.80 / 2.20 |           |
| Typ 8 c [m] / I [m]  |                           |             |             | 0.40 / 0.90 | 0.45 / 1.03 | 0.50 / 1.17 | 0.55 / 1.30 | 0.70 / 1.53 |           |
| Typ 10 c [m] / I [m] |                           |             |             |             |             | 0.40 / 0.93 | 0.45 / 1.03 | 0.55 / 1.23 |           |
| Table Width B [m]    | Main Girder Spacing b [m] | 1.60        | 4 / 24.8    | 4 / 29.8    | 6 / 23.7    | 6 / 27.1    | 6 / 31.9    | 6 / 36.6    | 8 / 29.9  |
|                      |                           | 2.00        | 4 / 29.8    | 4 / 35.8    | 6 / 28.4    | 6 / 32.5    | 6 / 38.3    | 6 / 43.9    | 8 / 35.9  |
|                      |                           | 2.40        | 6 / 23.9    | 6 / 28.6    | 6 / 33.1    | 6 / 38.0    | 8 / 32.1    | 8 / 35.9    | 10 / 34.6 |
|                      |                           | 2.80        | 6 / 27.3    | 6 / 32.7    | 6 / 37.8    | 6 / 43.4    | 8 / 36.7    | 8 / 41.0    | 10 / 39.5 |
|                      |                           | 3.20        | 6 / 30.8    | 6 / 36.8    | 8 / 31.6    | 8 / 36.4    | 8 / 41.3    | 10 / 37.1   |           |
|                      |                           | 3.60        | 6 / 34.2    | 6 / 40.9    | 8 / 35.1    | 8 / 40.5    | 10 / 37.1   | 10 / 41.2   |           |

**Type of Table and Prop Load [kN]  
Typ 10**

**Twin Main Girder VT 20**

perm. M = 2 x 5 kNm  
 perm. Q = 2 x 11 kN  
 perm. A = 2 x 22 kN

**Load according to DIN 4421  
Shoring System Class III**

Dead load  $g = 0.30 \text{ kN/m}^2$   
 Concrete load  $b = 26 \text{ kN/m}^3 \times d \text{ (m)}$   
 Live load  $p = 0.20 \times b$   
 $1.5 \leq p \leq 5.0 \text{ kN/m}^2$   
 Total load  $q = g + b + p$

# Slab Tables in generell

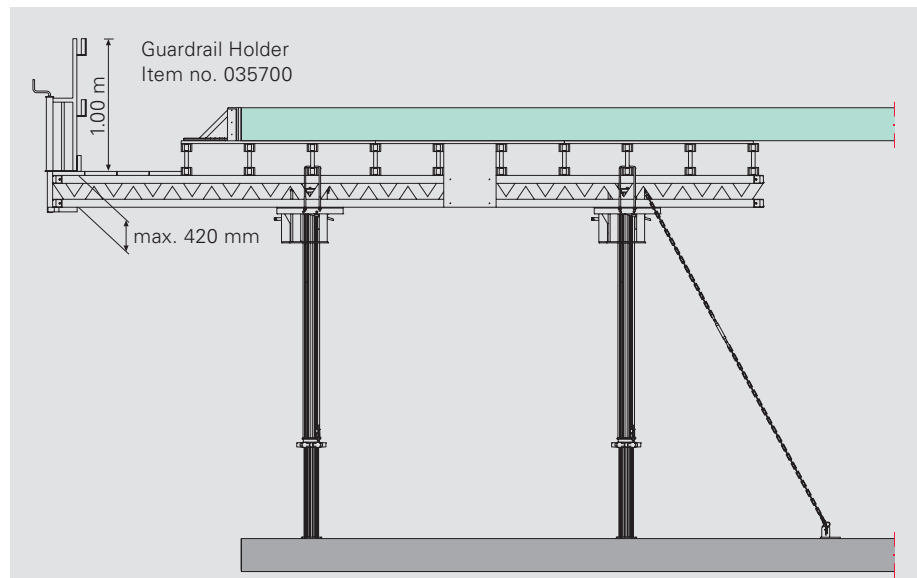
## Slab edge tables, safety guardrail system

### PERI edge tables for greater safety

Edge stopends, work platforms and safety guardrail systems are generally firmly connected to edge tables. Any edge beam formwork required can also be included.



Safety guardrail system with PD 8 Guardrail Post, Item no. 019040.



Maximum permissible spacing of guardrail holders 2.00 m when 3 x 150 mm side protection boards used. Toe boards must project at least 100 mm above the decking. Minimum thickness 30 mm.

Tension anchor to prevent overturning, with Anchor Chain, Item no. 065073 and Turnbuckle, Item no. 065074.

### Table for perm. spans [m] for planking.

| Scaffold group | Width of boards [cm] | Thickness of boards [cm] |      |      |      |      |
|----------------|----------------------|--------------------------|------|------|------|------|
|                |                      | 3.0                      | 3.5  | 4.0  | 4.5  | 5.0  |
| 1, 2, 3        | 20                   | 1.25                     | 1.50 | 1.75 | 2.25 | 2.50 |
|                | 24 and 28            | 1.25                     | 1.75 | 2.25 | 2.50 | 2.75 |

**Chart 2 (from ZH 1/534)**  
Minimum sizes of scaffold boards for work platforms.

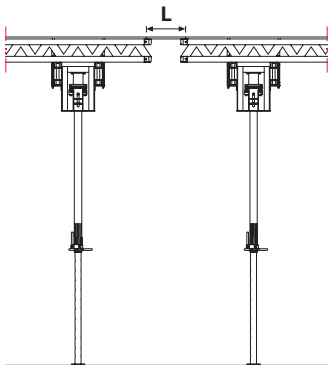
# Striking play, Infilling

Initial planning should ensure ease of striking after concreting. The infill area can be used for temporary support.

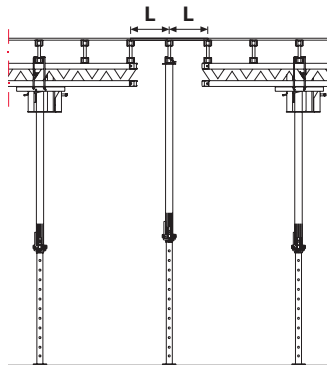


The fillers are located at the column areas.

## Transverse infill



## Longitudinal infill



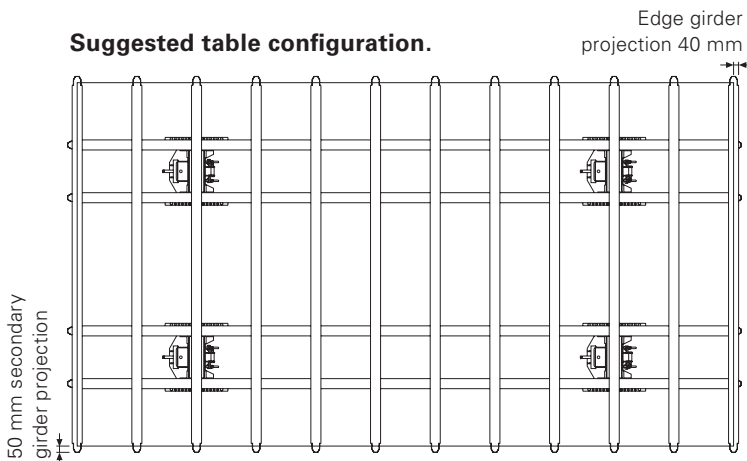
## Chart of permissible spans L [m] for plywood

| Slab thickness h [m] | PERI Spruce 21 mm | Fin-Ply 21 mm | 3-S (cross) 21mm | PERI Beto 21 mm |
|----------------------|-------------------|---------------|------------------|-----------------|
| 0.20                 | 0.58              | 0.62          | 0.24             | 0.58            |
| 0.25                 | 0.54              | 0.58          | 0.22             | 0.54            |
| 0.30                 | 0.51              | 0.54          | 0.21             | 0.51            |
| 0.35                 | 0.48              | 0.52          | 0.20             | 0.48            |
| 0.40                 | 0.46              | 0.50          | 0.19             | 0.46            |
| 0.45                 | 0.44              | 0.48          | 0.18             | 0.44            |
| 0.50                 | 0.43              | 0.46          | 0.17             | 0.43            |

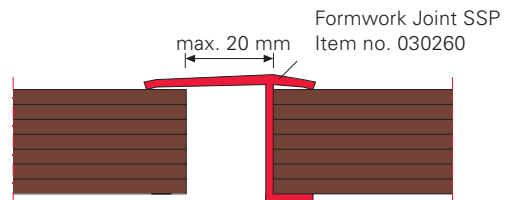
### Note:

The permissible deflection of a single span is  $L/300$ .  
The infilling increases the loads on props of the slab tables.

## Suggested table configuration.



## Striking play 20 mm



### Note:

Concreting requires horizontal restraint all the way round, provided by the formlining for example. The joint must therefore be wedged or the tables connected by other means.

# Slab Tables in generell

## Cycling with Lifting Fork

With the PERI Lifting Fork 1.0 t / 5.0 m or 1.75 t / 8.0 m, the following slab table systems can be moved:

- PD 8
- UNIPORTAL
- Table Modules VT
- MULTIPROP

**Follow the Instructions for Use provided with the Lifting Fork.**

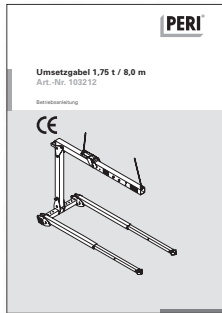
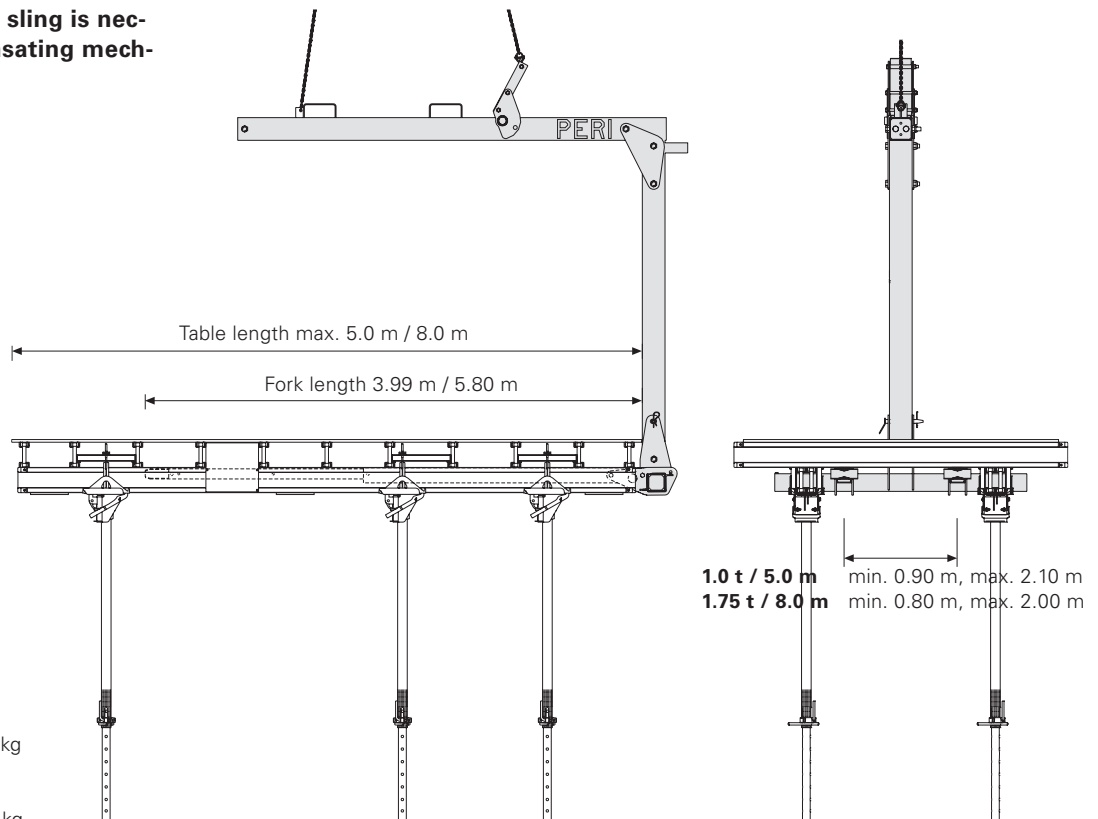


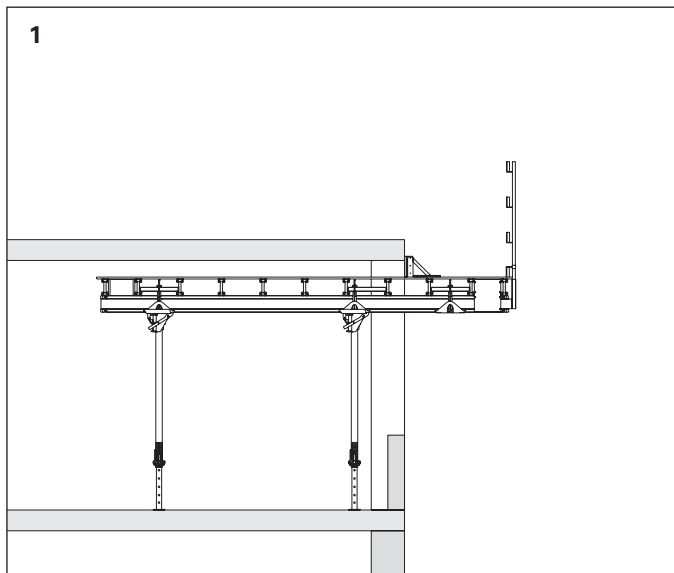
Table Module VT moved with the Lifting Fork 1.0 t / 5.0 m.

**No alteration to the crane sling is necessary due to the compensating mechanism of the lifting fork.**

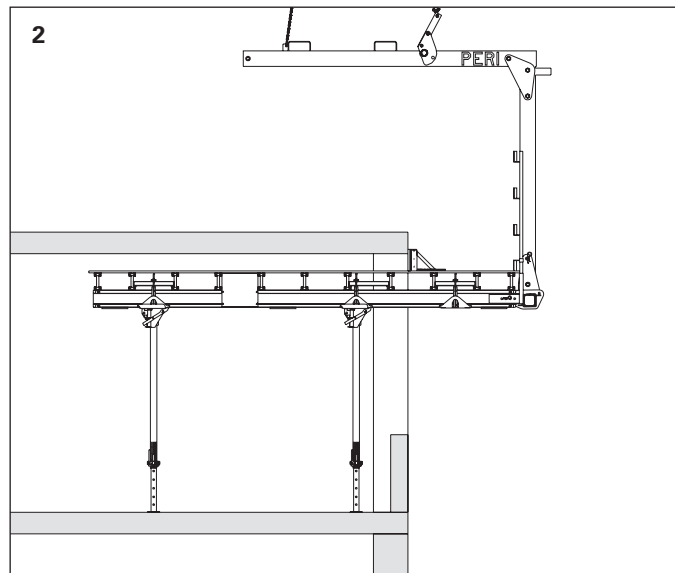


**Lifting Fork 1.0 t / 5.0 m**  
Item no. 101862, weight: 575.00 kg

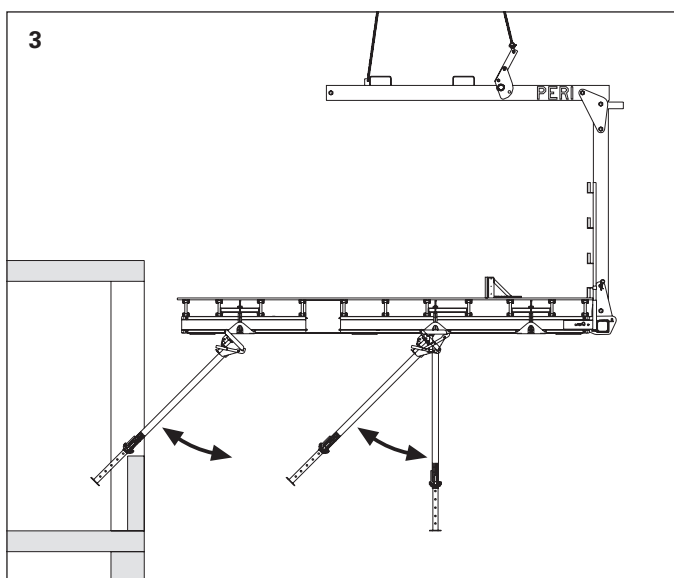
**Lifting Fork 1.75 t / 8.0 m**  
Item no. 103212, weight: 1580.00 kg



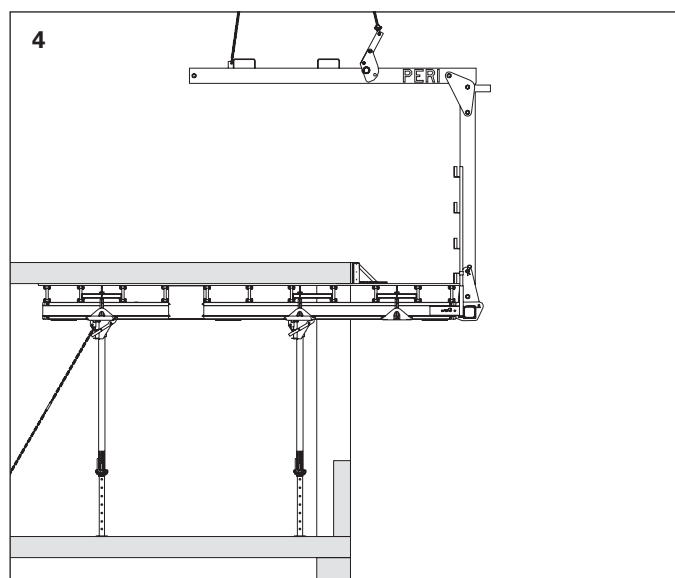
The formwork is struck once the concrete has reached the required strength. Lower props about 200 mm. Remove any intermediate props.



Position lifting fork underneath and align with table's centre of gravity. (Lifting Fork 1.0 t / 5.0 m or 1.75 t / 8.0 m must be swung right in under 5 m or 8 m long tables).



Lift slab table and carefully swing out of the building. (The props are folded out of the way to negotiate parapets).



Shift slab table to next point of use, align and set down after extending props to correct height. Concreting can take place after carrying out the fine adjustment.

**Note:**

Set the props to the correct height before lowering the tables.



# Slab Tables in generell

## Moving with Table Trolley

The PERI Table Trolley is used for horizontal movement and the fine adjustment of slab tables.

The undercarriage can be angled to negotiate doorways. Openings as narrow as 900 mm are passable.

**Maximum working load: 2.0 t**

**Application height to bottom edge of formwork:**

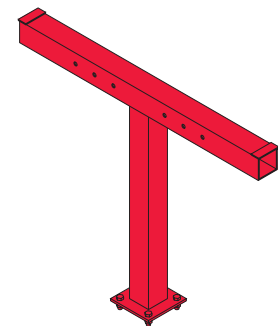
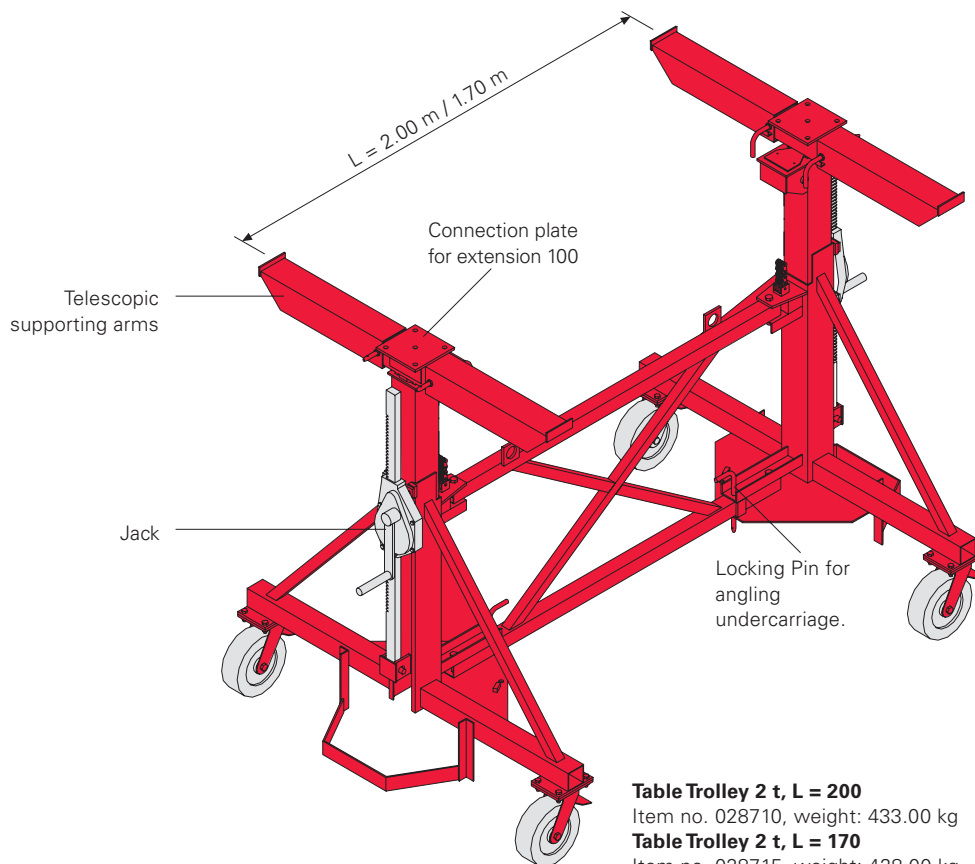
Without extension: 1.45 m - 3.20 m  
 With Extension 100: 2.45 m - 4.20 m  
 With Extension 100 and Extension 60: 3.05 m - 4.80 m

**Note:**

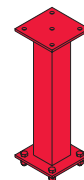
The Centre Cross Brace 170, Item no. 101854 must be inserted when using the Table Module VT 200 / 215 x 500 or 250 / 265 x 500.



Table Trolley used with Extension 100.



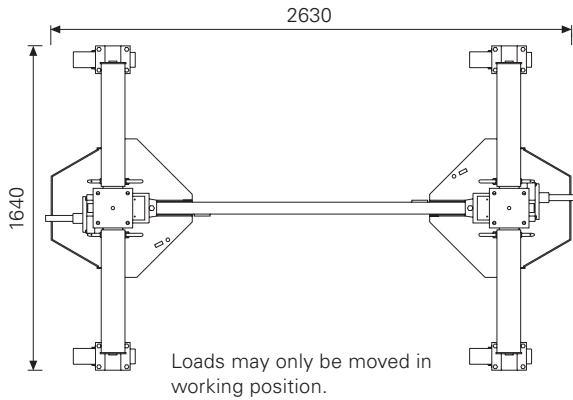
**Extension 100 for Table Trolley**  
 Item no. 028720, weight: 34.60 kg



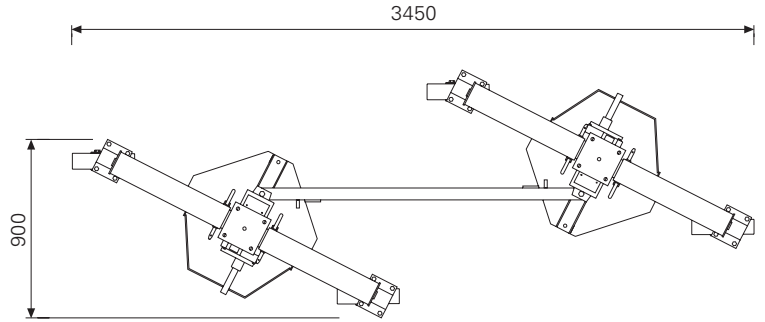
**Extension 60 for Table Trolley**  
 Item no. 104050, weight: 15.10 kg

**Table Trolley 2 t, L = 200**  
 Item no. 028710, weight: 433.00 kg  
**Table Trolley 2 t, L = 170**  
 Item no. 028715, weight: 428.00 kg

**Working position:**



**For negotiating openings:**

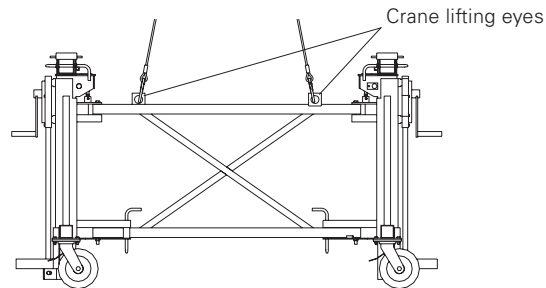


Remove Locking Pins then turn axles to angle undercarriage.

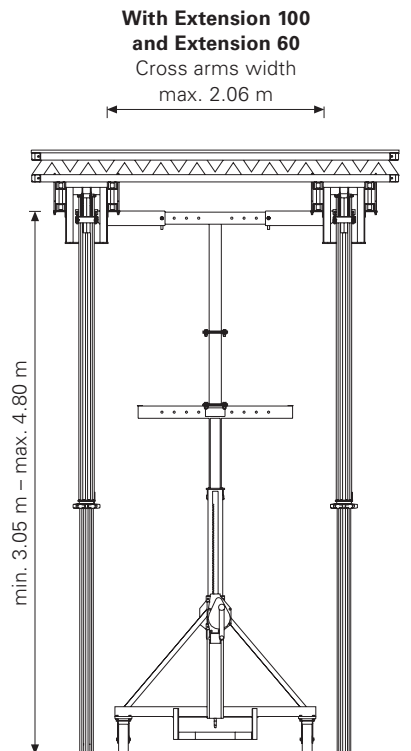
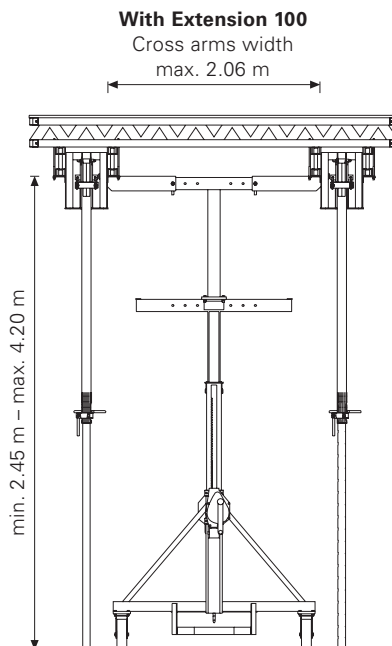
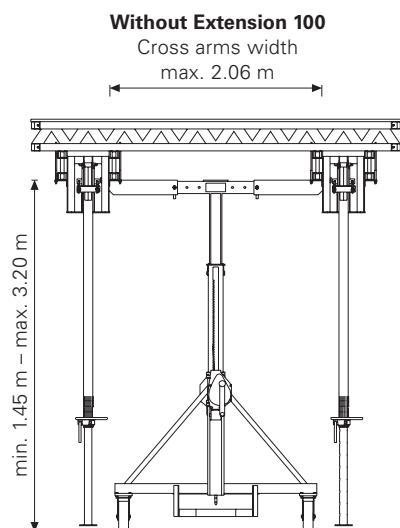
**Instructions for use of Table Trolley:**

- Not approved for transporting personnel.
- Only move load on clean and level surface.
- Loads may only be moved with trolley fully lowered.
- Operate the two jacks uniformly.
- Take up load symmetrically.
- Extend support arms equally.
- Bring undercarriage into work position before moving loads.

**For lifting with crane:**



**Reach and width of Table Trolley:**



# Slab Tables in generell

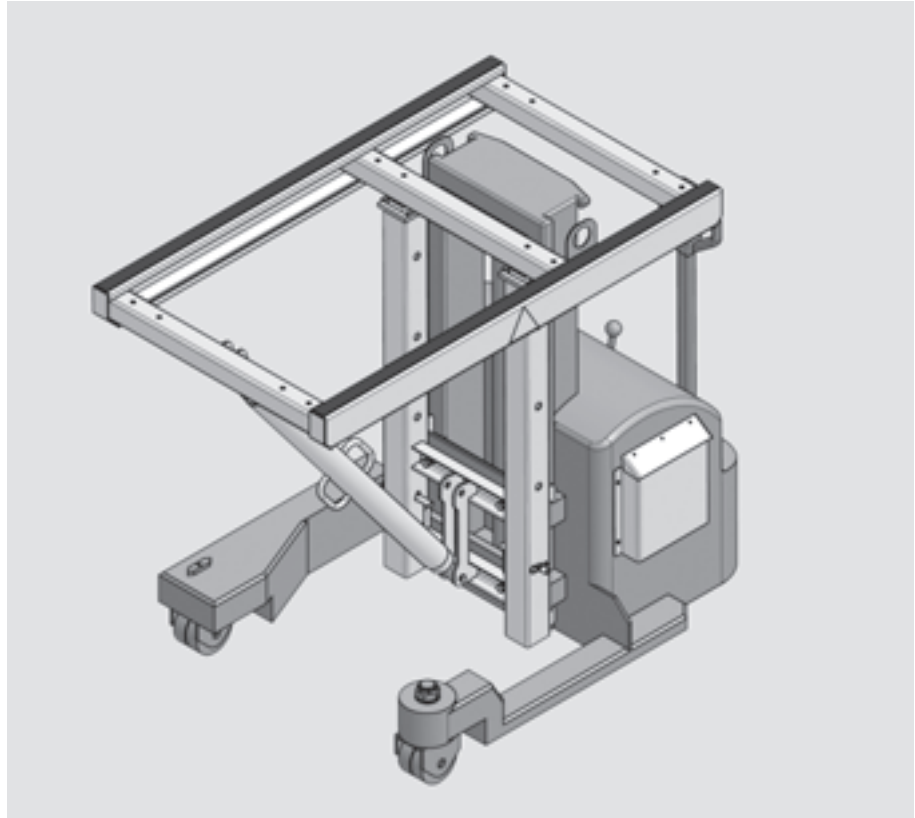
## Moving with Table Lift PTL 1250

**With the PERI Table Lift PTL 1250, slab tables are quickly and easily moved horizontally.**

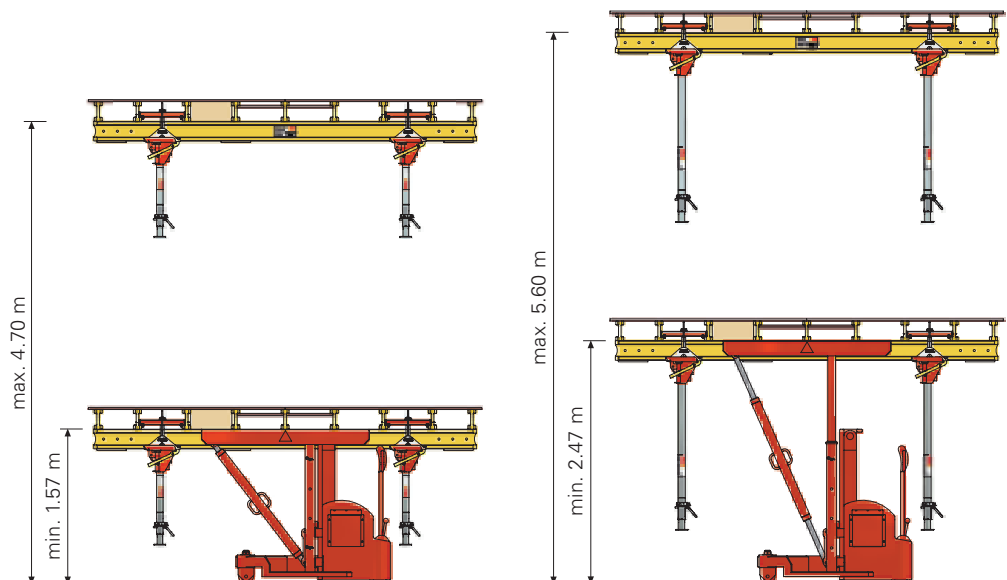
The electric drive function and the hydraulic lifting gear allows slab tables to be moved without any effort.

The important advantages of the PERI Table Lift PTL 1250:

- 1-man operation feature saves on manpower.
- Flexible manoeuvring due to the 4-way directional drive.
- Simple changeover 0° - 90° to transversal moving by means of control lever.
- Safe moving of slab tables by means of lift-dependent speed control.
- Integrated crane lifting eyes for on-site cross transportation.
- Slab tables up to a weight of 1250 kg can be safely moved.



**PERI Table Lift PTL 1250**  
Item no. 108108,  
weight: 1520.00 kg



The large reach and width of 1.57 m up to 5.60 m allow the PERI Table Lift PTL 1250 also to be used for parking garages.



**Smooth steering procedure**

For safe manoeuvring even in tight spaces thanks to the 4-way directional drive with "crab steering". The drawbar returns to a vertical braking position after being let go.

**Perfect braking system**

With dirt-protected, regulated disc brake feature.

**Optimised power drive**

- Smooth start up and acceleration up to maximum speed.
- Drive and control system take effect immediately when moving onto gradients, no uncontrolled rollback.
- After disengaging the drive switch, machine stops due to changeover to counter current.



**Functional design**

The optimal ergonomics of the drawbar (arrangement of the push buttons for the signal horn, lift and lowering) allow easy 1-handed operations.

The 1-man operation feature makes the PERI Table Lift very cost-effective.

# Slab Props

## PEP 20

### Permissible Prop Load [kN] according to the Type Test

| Extension Length [m] | PEP 20 N 260*<br>L = 1.51 – 2.60 m |                   | PEP 20 – 300<br>PEP 20 N 300*<br>L = 1.71 – 3.00 m |                   | PEP 20 – 350<br>PEP 20 N 350*<br>L = 1.96 – 3.50 m |                   | PEP 20 – 400<br>PEP 20 G 410*<br>L = 2.21 – 4.00 m |                   | PEP 20 – 500<br>L = 2.71 – 5.00 |                   |
|----------------------|------------------------------------|-------------------|--|-------------------|--|-------------------|--|-------------------|---------------------------------|-------------------|
|                      | Outer Tube Bottom                  | Inner Tube Bottom | Outer Tube Bottom                                  | Inner Tube Bottom | Outer Tube Bottom                                  | Inner Tube Bottom | Outer Tube Bottom                                  | Inner Tube Bottom | Outer Tube Bottom               | Inner Tube Bottom |
| 1.60                 | 35.0                               | 35.0              |  |                   |  |                   |  |                   |                                 |                   |
| 1.70                 | 35.0                               | 35.0              |  |                   |  |                   |  |                   |                                 |                   |
| 1.80                 | 35.0                               | 35.0              | 35.0   | 35.0              |  |                   |  |                   |                                 |                   |
| 1.90                 | 35.0                               | 35.0              | 35.0   | 35.0              |  |                   |  |                   |                                 |                   |
| 2.00                 | 33.5                               | 35.0              | 35.0   | 35.0              | 35.0   | 35.0              |  |                   |                                 |                   |
| 2.10                 | 31.9                               | 35.0              | 32.2   | 35.0              | 35.0   | 35.0              |  |                   |                                 |                   |
| 2.20                 | 30.9                               | 35.0              | 30.5   | 35.0              | 35.0   | 35.0              |  |                   |                                 |                   |
| 2.30                 | 29.8                               | 35.0              | 29.0   | 35.0              | 35.0   | 35.0              | 35.0   | 35.0              |                                 |                   |
| 2.40                 | 28.6                               | 35.0              | 27.8   | 35.0              | 35.0   | 35.0              | 35.0   | 35.0              |                                 |                   |
| 2.50                 | 27.1                               | 32.9              | 26.9   | 35.0              | 35.0   | 35.0              | 35.0   | 35.0              |                                 |                   |
| 2.60                 | 24.8                               | 29.4              | 26.1   | 35.0              | 33.8   | 35.0              | 35.0   | 35.0              |                                 |                   |
| 2.70                 |                                    |                   | 24.9   | 31.7              | 32.4   | 35.0              | 35.0   | 35.0              |                                 |                   |
| 2.80                 |                                    |                   | 23.3   | 28.5              | 31.2   | 35.0              | 35.0   | 35.0              | 35.0                            | 35.0              |
| 2.90                 |                                    |                   | 21.6   | 25.7              | 30.2   | 35.0              | 35.0   | 35.0              | 35.0                            | 35.0              |
| 3.00                 |                                    |                   | 20.0   | 23.2              | 29.2   | 35.0              | 35.0   | 35.0              | 35.0                            | 35.0              |
| 3.10                 |                                    |                   |  |                   | 27.5   | 34.6              | 33.6   | 35.0              | 35.0                            | 35.0              |
| 3.20                 |                                    |                   |  |                   | 25.7   | 31.5              | 32.5   | 35.0              | 35.0                            | 35.0              |
| 3.30                 |                                    |                   |  |                   | 24.1   | 28.8              | 31.2   | 35.0              | 35.0                            | 35.0              |
| 3.40                 |                                    |                   |  |                   | 22.4   | 26.4              | 29.6   | 35.0              | 35.0                            | 35.0              |
| 3.50                 |                                    |                   |  |                   | 20.7   | 24.1              | 27.8   | 33.9              | 35.0                            | 35.0              |
| 3.60                 |                                    |                   |  |                   |  |                   | 26.1   | 31.2              | 35.0                            | 35.0              |
| 3.70                 |                                    |                   |  |                   |  |                   | 24.5   | 28.9              | 35.0                            | 35.0              |
| 3.80                 |                                    |                   |  |                   |  |                   | 23.0   | 26.8              | 35.0                            | 35.0              |
| 3.90                 |                                    |                   |  |                   |  |                   | 21.6   | 24.8              | 35.0                            | 35.0              |
| 4.00                 |                                    |                   |  |                   |  |                   | 20.1   | 22.8              | 34.2                            | 35.0              |
| 4.10                 |                                    |                   |  |                   |  |                   |  |                   | 32.3                            | 35.0              |
| 4.20                 |                                    |                   |  |                   |  |                   |  |                   | 30.6                            | 35.0              |
| 4.30                 |                                    |                   |  |                   |  |                   |  |                   | 28.9                            | 34.0              |
| 4.40                 |                                    |                   |  |                   |  |                   |  |                   | 27.4                            | 31.9              |
| 4.50                 |                                    |                   |  |                   |  |                   |  |                   | 26.0                            | 29.9              |
| 4.60                 |                                    |                   |  |                   |  |                   |  |                   | 24.6                            | 28.1              |
| 4.70                 |                                    |                   |  |                   |  |                   |  |                   | 23.4                            | 26.4              |
| 4.80                 |                                    |                   |  |                   |  |                   |  |                   | 22.1                            | 24.9              |
| 4.90                 |                                    |                   |  |                   |  |                   |  |                   | 20.9                            | 23.4              |
| 5.00                 |                                    |                   |  |                   |  |                   |  |                   | 20.0                            | 21.8              |

All PEP 20 Props conform with DIN EN 1065 class D with a permissible load for the entire extension range of minimum 20 kN.

All PEP 20 Props clamped in the Table Swivel Head or UNIportal Head fitted to PERI tableforms have a permissible load of minimum 30 kN over the entire extension range.

\*For the N and G Props the application Inner Tube at Bottom is only possible with PERI Slab Tables or SKYDECK (bolted head).



# PEP 30

## Permissible Prop Load [kN] according to the Type Test

| Extension Length [m] | PEP 30 – 150      |                   | PEP 30 – 250      |                   | PEP 30 – 300                       |                   | PEP 30 – 350                       |                   | PEP 30 – 400      |                   |
|----------------------|-------------------|-------------------|-------------------|-------------------|------------------------------------|-------------------|------------------------------------|-------------------|-------------------|-------------------|
|                      | L = 0.96 – 1.50 m |                   | L = 1.46 – 2.50 m |                   | PEP 30 G 300*<br>L = 1.71 – 3.00 m |                   | PEP 30 G 350*<br>L = 1.96 – 3.50 m |                   | L = 2.21 – 4.00 m |                   |
|                      | Outer Tube Bottom | Inner Tube Bottom | Outer Tube Bottom | Inner Tube Bottom | Outer Tube Bottom                  | Inner Tube Bottom | Outer Tube Bottom                  | Inner Tube Bottom | Outer Tube Bottom | Inner Tube Bottom |
| 1.00                 | 35.0              | 35.0              |                   |                   |                                    |                   |                                    |                   |                   |                   |
| 1.10                 | 35.0              | 35.0              |                   |                   |                                    |                   |                                    |                   |                   |                   |
| 1.20                 | 35.0              | 35.0              |                   |                   |                                    |                   |                                    |                   |                   |                   |
| 1.30                 | 34.9              | 35.0              |                   |                   |                                    |                   |                                    |                   |                   |                   |
| 1.40                 | 34.2              | 35.0              |                   |                   |                                    |                   |                                    |                   |                   |                   |
| 1.50                 | 33.5              | 35.0              | 40.0              | 40.0              |                                    |                   |                                    |                   |                   |                   |
| 1.60                 |                   |                   | 40.0              | 40.0              |                                    |                   |                                    |                   |                   |                   |
| 1.70                 |                   |                   | 40.0              | 40.0              |                                    |                   |                                    |                   |                   |                   |
| 1.80                 |                   |                   | 40.0              | 40.0              | 40.0                               | 40.0              |                                    |                   |                   |                   |
| 1.90                 |                   |                   | 38.5              | 40.0              | 40.0                               | 40.0              |                                    |                   |                   |                   |
| 2.00                 |                   |                   | 36.8              | 40.0              | 40.0                               | 40.0              | 40.0                               | 40.0              |                   |                   |
| 2.10                 |                   |                   | 35.3              | 40.0              | 40.0                               | 40.0              | 40.0                               | 40.0              |                   |                   |
| 2.20                 |                   |                   | 34.4              | 40.0              | 40.0                               | 40.0              | 40.0                               | 40.0              |                   |                   |
| 2.30                 |                   |                   | 33.3              | 40.0              | 40.0                               | 40.0              | 40.0                               | 40.0              | 40.0              | 40.0              |
| 2.40                 |                   |                   | 32.1              | 37.6              | 40.0                               | 40.0              | 40.0                               | 40.0              | 40.0              | 40.0              |
| 2.50                 |                   |                   | 30.1              | 34.8              | 39.9                               | 40.0              | 40.0                               | 40.0              | 40.0              | 40.0              |
| 2.60                 |                   |                   |                   |                   | 38.8                               | 40.0              | 40.0                               | 40.0              | 40.0              | 40.0              |
| 2.70                 |                   |                   |                   |                   | 37.4                               | 40.0              | 40.0                               | 40.0              | 40.0              | 40.0              |
| 2.80                 |                   |                   |                   |                   | 35.8                               | 40.0              | 40.0                               | 40.0              | 40.0              | 40.0              |
| 2.90                 |                   |                   |                   |                   | 33.2                               | 37.2              | 40.0                               | 40.0              | 40.0              | 40.0              |
| 3.00                 |                   |                   |                   |                   | 30.4                               | 33.8              | 40.0                               | 40.0              | 40.0              | 40.0              |
| 3.10                 |                   |                   |                   |                   |                                    |                   | 40.0                               | 40.0              | 40.0              | 40.0              |
| 3.20                 |                   |                   |                   |                   |                                    |                   | 37.6                               | 40.0              | 40.0              | 40.0              |
| 3.30                 |                   |                   |                   |                   |                                    |                   | 35.0                               | 37.6              | 40.0              | 40.0              |
| 3.40                 |                   |                   |                   |                   |                                    |                   | 32.3                               | 34.6              | 40.0              | 40.0              |
| 3.50                 |                   |                   |                   |                   |                                    |                   | 30.0                               | 31.6              | 40.0              | 40.0              |
| 3.60                 |                   |                   |                   |                   |                                    |                   |                                    |                   | 40.0              | 40.0              |
| 3.70                 |                   |                   |                   |                   |                                    |                   |                                    |                   | 40.0              | 40.0              |
| 3.80                 |                   |                   |                   |                   |                                    |                   |                                    |                   | 37.4              | 40.0              |
| 3.90                 |                   |                   |                   |                   |                                    |                   |                                    |                   | 34.8              | 37.0              |
| 4.00                 |                   |                   |                   |                   |                                    |                   |                                    |                   | 32.2              | 33.9              |

All PEP 30 Props conform with DIN EN 1065 class E with a permissible load for the entire extension range of minimum 30 kN.

All PEP 30 Props clamped in the Table Swivel Head or UNIPORTAL Head fitted to PERI tableforms have a permissible load of minimum 40 kN (PEP 30-150 = 35 kN) over the entire extension range.

\*For the N and G Props the application Inner Tube at Bottom is only possible with PERI Slab Tables or SKYDECK (bolted head).



# Plywood 21 mm

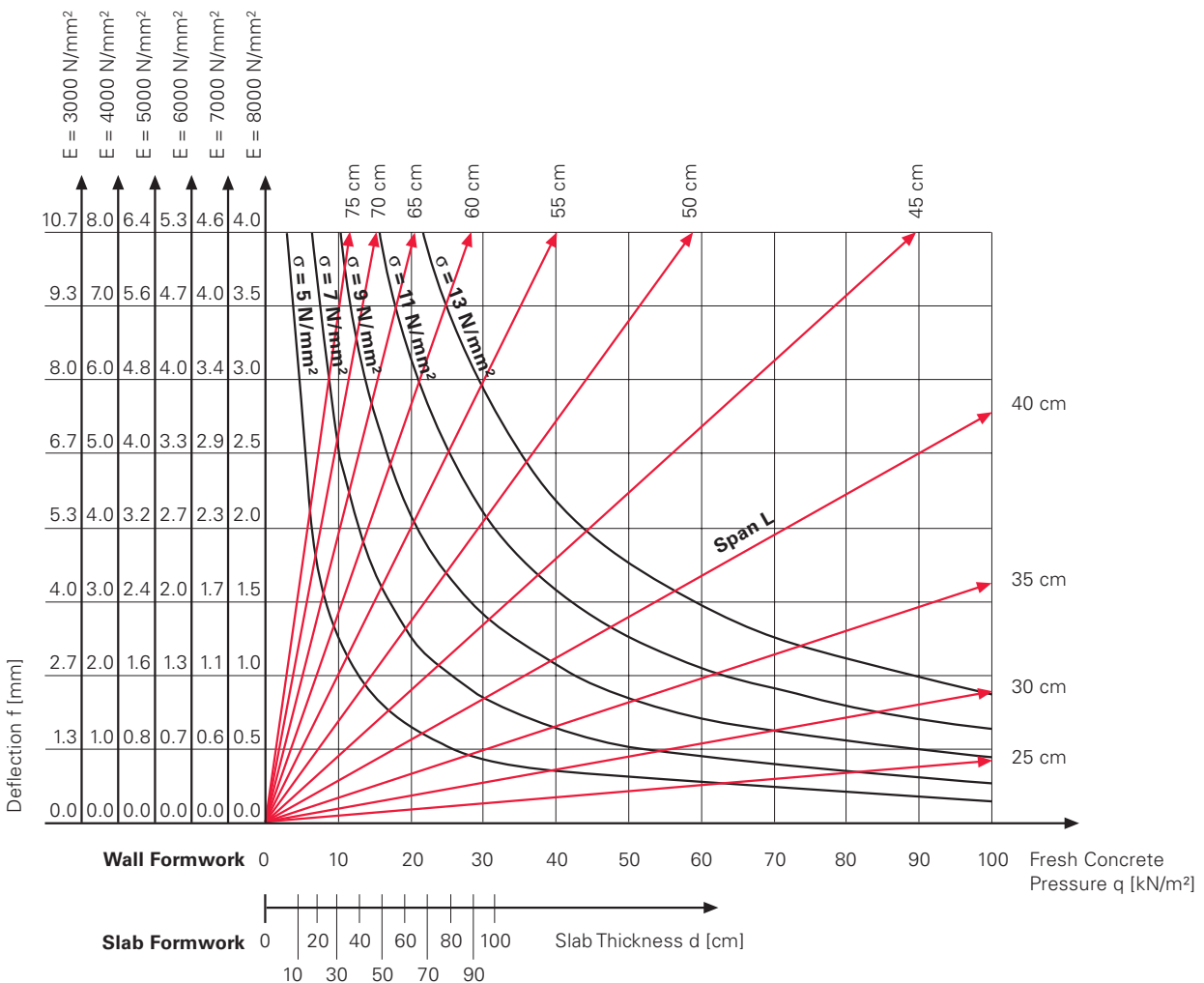
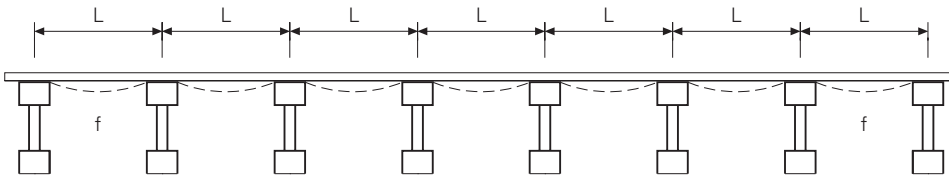
The E-Modulus and the permissible stress are based on the grade and moisture content of the plywood.  
(See page "Overview, Static Values")

max. deflection

$$f = \frac{0.0068 \cdot q \cdot L^4}{E \cdot I}$$

max. moment  
(valid for min. 3 spans)

$$M = 0.1071 \cdot q \cdot L^2$$



# MULTIFLEX

## GT 24 used as Slab Girder

| Slab Thickness [m]        |      | 0.10 |       |      | 0.12 |       |      | 0.14 |       |      | 0.16 |       |      | 0.18 |       |      | 0.20 |       |      |
|---------------------------|------|------|-------|------|------|-------|------|------|-------|------|------|-------|------|------|-------|------|------|-------|------|
| Load q* [kN/m²]           |      | 4.5  |       |      | 5.0  |       |      | 5.5  |       |      | 6.1  |       |      | 6.6  |       |      | 7.1  |       |      |
| Sec. Girder Spacing a [m] |      | 0.75 | 0.625 | 0.50 | 0.75 | 0.625 | 0.50 | 0.75 | 0.625 | 0.50 | 0.75 | 0.625 | 0.50 | 0.75 | 0.625 | 0.50 | 0.75 | 0.625 | 0.50 |
| Prop Spacing c [m]        | 0.60 | 3.79 | 4.03  | 4.34 | 3.60 | 3.82  | 4.12 | 3.44 | 3.65  | 3.93 | 3.30 | 3.51  | 3.78 | 3.18 | 3.38  | 3.64 | 3.08 | 3.27  | 3.53 |
|                           |      | 10.2 | 10.9  | 11.7 | 10.8 | 11.5  | 12.4 | 11.4 | 12.1  | 13.1 | 12.0 | 12.7  | 13.7 | 12.6 | 13.4  | 14.4 | 13.1 | 13.9  | 15.0 |
|                           | 0.90 | 3.79 | 4.03  | 4.34 | 3.60 | 3.82  | 4.12 | 3.44 | 3.65  | 3.93 | 3.30 | 3.51  | 3.78 | 3.18 | 3.38  | 3.64 | 3.08 | 3.27  | 3.53 |
|                           |      | 15.4 | 16.3  | 17.6 | 16.3 | 17.3  | 18.6 | 17.1 | 18.2  | 19.6 | 18.0 | 19.1  | 20.6 | 18.9 | 20.0  | 21.6 | 19.7 | 20.9  | 22.5 |
|                           | 1.20 | 3.79 | 4.03  | 4.34 | 3.60 | 3.82  | 4.12 | 3.44 | 3.65  | 3.93 | 3.30 | 3.51  | 3.78 | 3.18 | 3.38  | 3.55 | 3.08 | 3.27  | 3.29 |
|                           |      | 20.5 | 21.8  | 23.5 | 21.7 | 23.0  | 24.8 | 22.8 | 24.3  | 26.1 | 24.0 | 25.5  | 27.5 | 25.1 | 26.7  | 28.0 | 26.3 | 27.9  | 28.0 |
|                           | 1.50 | 3.79 | 4.03  | 4.15 | 3.60 | 3.72  | 3.72 | 3.37 | 3.37  | 3.37 | 3.08 | 3.08  | 3.08 | 2.84 | 2.84  | 2.84 | 2.63 | 2.63  | 2.63 |
|                           |      | 25.6 | 27.2  | 28.0 | 27.1 | 28.0  | 28.0 | 28.0 | 28.0  | 28.0 | 28.0 | 28.0  | 28.0 | 28.0 | 28.0  | 28.0 | 28.0 | 28.0  | 28.0 |
|                           | 1.80 | 3.18 | 3.18  | 3.18 | 2.85 | 2.85  | 2.85 | 2.58 | 2.58  | 2.58 | 2.36 | 2.36  | 2.36 | 2.18 | 2.18  | 2.18 | 2.02 | 2.02  | 2.02 |
|                           |      | 28.0 | 28.0  | 28.0 | 28.0 | 28.0  | 28.0 | 28.0 | 28.0  | 28.0 | 28.0 | 28.0  | 28.0 | 28.0 | 28.0  | 28.0 | 28.0 | 28.0  | 28.0 |
|                           | 2.10 | 2.43 | 2.43  | 2.43 | 2.17 | 2.17  | 2.17 | 1.97 | 1.97  | 1.97 | 1.80 | 1.80  | 1.80 | 1.66 | 1.66  | 1.66 | 1.54 | 1.54  | 1.54 |
|                           |      | 28.0 | 28.0  | 28.0 | 28.0 | 28.0  | 28.0 | 28.0 | 28.0  | 28.0 | 28.0 | 28.0  | 28.0 | 28.0 | 28.0  | 28.0 | 28.0 | 28.0  | 28.0 |
|                           | 2.40 | 2.07 | 2.07  | 2.07 | 1.86 | 1.86  | 1.86 | 1.68 | 1.68  | 1.68 | 1.54 | 1.54  | 1.54 | 1.42 | 1.42  | 1.42 | 1.31 | 1.31  | 1.31 |
|                           |      | 28.0 | 28.0  | 28.0 | 28.0 | 28.0  | 28.0 | 28.0 | 28.0  | 28.0 | 28.0 | 28.0  | 28.0 | 28.0 | 28.0  | 28.0 | 28.0 | 28.0  | 28.0 |

| Slab Thickness [m]        |      | 0.22 |       |      | 0.24  |      |      | 0.26  |      |      | 0.28  |      |      | 0.30  |      |      | 0.35 |      |
|---------------------------|------|------|-------|------|-------|------|------|-------|------|------|-------|------|------|-------|------|------|------|------|
| Load q* [kN/m²]           |      | 7.6  |       |      | 8.1   |      |      | 8.7   |      |      | 9.2   |      |      | 9.8   |      |      | 11.3 |      |
| Sec. Girder Spacing a [m] |      | 0.75 | 0.625 | 0.50 | 0.625 | 0.50 | 0.40 | 0.625 | 0.50 | 0.40 | 0.625 | 0.50 | 0.40 | 0.625 | 0.50 | 0.40 | 0.50 | 0.40 |
| Prop Spacing c [m]        | 0.60 | 2.99 | 3.18  | 3.42 | 3.09  | 3.33 | 3.59 | 3.02  | 3.25 | 3.50 | 2.95  | 3.17 | 3.42 | 2.88  | 3.11 | 3.35 | 2.96 | 3.19 |
|                           |      | 13.7 | 14.5  | 15.7 | 15.1  | 16.3 | 17.5 | 15.7  | 16.9 | 18.2 | 16.2  | 17.5 | 18.8 | 16.9  | 18.2 | 19.6 | 20.1 | 21.6 |
|                           | 0.90 | 2.99 | 3.18  | 3.42 | 3.09  | 3.33 | 3.59 | 3.02  | 3.25 | 3.50 | 2.95  | 3.17 | 3.39 | 2.88  | 3.11 | 3.19 | 2.75 | 2.75 |
|                           |      | 20.5 | 21.8  | 23.5 | 22.7  | 24.4 | 26.3 | 23.5  | 25.3 | 27.3 | 24.3  | 26.2 | 28.0 | 25.3  | 27.3 | 28.0 | 28.0 | 28.0 |
|                           | 1.20 | 2.99 | 3.06  | 3.06 | 2.87  | 2.87 | 2.87 | 2.69  | 2.69 | 2.69 | 2.54  | 2.54 | 2.54 | 2.39  | 2.39 | 2.39 | 2.06 | 2.06 |
|                           |      | 27.4 | 28.0  | 28.0 | 28.0  | 28.0 | 28.0 | 28.0  | 28.0 | 28.0 | 28.0  | 28.0 | 28.0 | 28.0  | 28.0 | 28.0 | 28.0 | 28.0 |
|                           | 1.50 | 2.45 | 2.45  | 2.45 | 2.29  | 2.29 | 2.29 | 2.16  | 2.16 | 2.16 | 2.03  | 2.03 | 2.03 | 1.91  | 1.91 | 1.91 | 1.65 | 1.65 |
|                           |      | 28.0 | 28.0  | 28.0 | 28.0  | 28.0 | 28.0 | 28.0  | 28.0 | 28.0 | 28.0  | 28.0 | 28.0 | 28.0  | 28.0 | 28.0 | 28.0 | 28.0 |
|                           | 1.80 | 1.88 | 1.88  | 1.88 | 1.76  | 1.76 | 1.76 | 1.65  | 1.65 | 1.65 | 1.56  | 1.56 | 1.56 | 1.47  | 1.47 | 1.47 | 1.26 | 1.26 |
|                           |      | 28.0 | 28.0  | 28.0 | 28.0  | 28.0 | 28.0 | 28.0  | 28.0 | 28.0 | 28.0  | 28.0 | 28.0 | 28.0  | 28.0 | 28.0 | 28.0 | 28.0 |
|                           | 2.10 | 1.43 | 1.43  | 1.43 | 1.34  | 1.34 | 1.34 | 1.26  | 1.26 | 1.26 | 1.19  | 1.19 | 1.19 | 1.12  | 1.12 | 1.12 | 0.96 | 0.96 |
|                           |      | 28.0 | 28.0  | 28.0 | 28.0  | 28.0 | 28.0 | 28.0  | 28.0 | 28.0 | 28.0  | 28.0 | 28.0 | 28.0  | 28.0 | 28.0 | 28.0 | 28.0 |
|                           | 2.40 | 1.22 | 1.22  | 1.22 | 1.15  | 1.15 | 1.15 | 1.08  | 1.08 | 1.08 | 1.02  | 1.02 | 1.02 | 0.96  | 0.96 | 0.96 | 0.82 | 0.82 |
|                           |      | 28.0 | 28.0  | 28.0 | 28.0  | 28.0 | 28.0 | 28.0  | 28.0 | 28.0 | 28.0  | 28.0 | 28.0 | 28.0  | 28.0 | 28.0 | 28.0 | 28.0 |

| Slab Thickness [m]        |      | 0.40 |      | 0.45 |      | 0.50 |      | 0.60 |      | 0.70 |      | 0.80 |      | 0.90 |      | 1.00 |      |
|---------------------------|------|------|------|------|------|------|------|------|------|------|------|------|------|------|------|------|------|
| Load q* [kN/m²]           |      | 12.9 |      | 14.4 |      | 16.0 |      | 19.1 |      | 22.2 |      | 25.4 |      | 28.5 |      | 31.4 |      |
| Sec. Girder Spacing a [m] |      | 0.50 | 0.40 | 0.50 | 0.40 | 0.50 | 0.40 | 0.50 | 0.40 | 0.50 | 0.40 | 0.50 | 0.40 | 0.50 | 0.40 | 0.50 | 0.40 |
| Prop Spacing c [m]        | 0.60 | 2.83 | 3.05 | 2.73 | 2.94 | 2.64 | 2.84 | 2.42 | 2.44 | 2.10 | 2.10 | 1.84 | 1.84 | 1.64 | 1.64 | 1.49 | 1.49 |
|                           |      | 21.9 | 23.6 | 23.6 | 25.5 | 25.3 | 27.3 | 27.8 | 28.0 | 28.0 | 28.0 | 28.0 | 28.0 | 28.0 | 28.0 | 28.0 | 28.0 |
|                           | 0.90 | 2.42 | 2.42 | 2.15 | 2.15 | 1.94 | 1.94 | 1.63 | 1.63 | 1.40 | 1.40 | 1.23 | 1.23 | 1.09 | 1.09 | 0.99 | 0.99 |
|                           |      | 28.0 | 28.0 | 28.0 | 28.0 | 28.0 | 28.0 | 28.0 | 28.0 | 28.0 | 28.0 | 28.0 | 28.0 | 28.0 | 28.0 | 28.0 | 28.0 |
|                           | 1.20 | 1.81 | 1.81 | 1.62 | 1.62 | 1.46 | 1.46 | 1.22 | 1.22 | 1.05 | 1.05 | 0.92 | 0.92 | 0.82 | 0.82 | 0.74 | 0.74 |
|                           |      | 28.0 | 28.0 | 28.0 | 28.0 | 28.0 | 28.0 | 28.0 | 28.0 | 28.0 | 28.0 | 28.0 | 28.0 | 28.0 | 28.0 | 28.0 | 28.0 |
|                           | 1.50 | 1.45 | 1.45 | 1.29 | 1.29 | 1.17 | 1.17 | 0.98 | 0.98 | 0.84 | 0.84 | 0.74 | 0.74 | 0.66 | 0.66 | 0.59 | 0.59 |
| 28.0                      |      | 28.0 | 28.0 | 28.0 | 28.0 | 28.0 | 28.0 | 28.0 | 28.0 | 28.0 | 28.0 | 28.0 | 28.0 | 28.0 | 28.0 | 28.0 | 28.0 |
| 1.80                      | 1.11 | 1.11 | 0.99 | 0.99 | 0.89 | 0.89 | 0.75 | 0.75 | 0.64 | 0.64 | 0.56 | 0.56 | 0.50 | 0.50 | 0.46 | 0.46 |      |
|                           | 28.0 | 28.0 | 28.0 | 28.0 | 28.0 | 28.0 | 28.0 | 28.0 | 28.0 | 28.0 | 28.0 | 28.0 | 28.0 | 28.0 | 28.0 | 28.0 | 28.0 |
| 2.10                      | 0.85 | 0.85 | 0.76 | 0.76 | 0.68 | 0.68 | 0.57 | 0.57 | 0.49 | 0.49 | 0.43 | 0.43 | 0.38 | 0.38 | 0.35 | 0.35 |      |
|                           | 28.0 | 28.0 | 28.0 | 28.0 | 28.0 | 28.0 | 28.0 | 28.0 | 28.0 | 28.0 | 28.0 | 28.0 | 28.0 | 28.0 | 28.0 | 28.0 | 28.0 |
| 2.40                      | 0.72 | 0.72 | 0.65 | 0.65 | 0.58 | 0.58 | 0.49 | 0.49 | 0.42 | 0.42 | 0.37 | 0.37 | 0.33 | 0.33 | 0.30 | 0.30 |      |
|                           | 28.0 | 28.0 | 28.0 | 28.0 | 28.0 | 28.0 | 28.0 | 28.0 | 28.0 | 28.0 | 28.0 | 28.0 | 28.0 | 28.0 | 28.0 | 28.0 | 28.0 |

**\*Load according to DIN 4421:**

Dead load  $g = 0.40 \text{ kN/m}^2$

Concrete Load  $b = 26 \text{ kN/m}^3 \times d \text{ (m)}$

Live load  $p = 0.20 \times b$   
 $1.5 \leq p \leq 5.0 \text{ kN/m}^2$

Total load  $q = g + b + p$

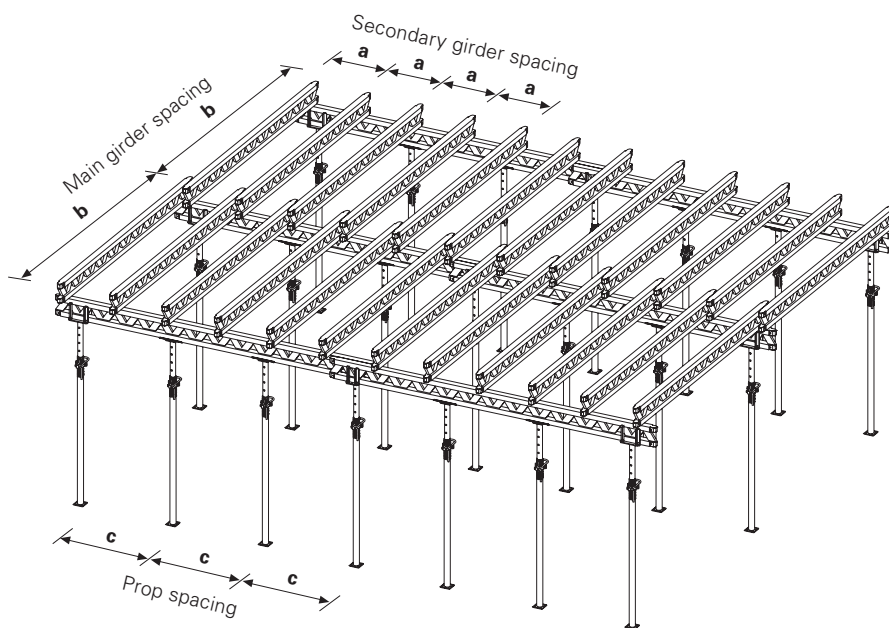
The deflection has been limited to  $l/500$ . Main girder support at centre of girder node. Secondary girder assumed as single span.

**Table values mean the following:**

2.87 perm. main girder spacing b [m]

28.0 actual prop load [kN]

| Girder Lengths [m] | Item no. |
|--------------------|----------|
| 0.90               | 075100   |
| 1.20               | 075120   |
| 1.50               | 075150   |
| 1.80               | 075180   |
| 2.10               | 075210   |
| 2.40               | 075240   |
| 2.70               | 075270   |
| 3.00               | 075300   |
| 3.30               | 075330   |
| 3.60               | 075360   |
| 3.90               | 075390   |
| 4.20               | 075420   |
| 4.50               | 075450   |
| 4.80               | 075480   |
| 5.10               | 075510   |
| 5.40               | 075540   |
| 5.70               | 075570   |
| 6.00               | 075600   |





# MULTIFLEX

## VT 20 used as Slab Girder

| Slab Thickness [m]        |      | 0.10 |       |      | 0.12 |       |      | 0.14 |       |      | 0.16 |       |      | 0.18 |       |      | 0.20 |       |      |
|---------------------------|------|------|-------|------|------|-------|------|------|-------|------|------|-------|------|------|-------|------|------|-------|------|
| Load q* [kN/m²]           |      | 4.5  |       |      | 5.0  |       |      | 5.5  |       |      | 6.1  |       |      | 6.6  |       |      | 7.1  |       |      |
| Sec. Girder Spacing a [m] |      | 0.75 | 0.625 | 0.50 | 0.75 | 0.625 | 0.50 | 0.75 | 0.625 | 0.50 | 0.75 | 0.625 | 0.50 | 0.75 | 0.625 | 0.50 | 0.75 | 0.625 | 0.50 |
| Prop Spacing c [m]        | 0.60 | 3.10 | 3.30  | 3.55 | 2.94 | 3.13  | 3.37 | 2.81 | 2.99  | 3.22 | 2.70 | 2.87  | 3.09 | 2.60 | 2.77  | 2.98 | 2.52 | 2.68  | 2.89 |
|                           |      | 8.4  | 8.9   | 9.6  | 8.9  | 9.4   | 10.1 | 9.3  | 9.9   | 10.7 | 9.8  | 10.4  | 11.2 | 10.3 | 10.9  | 11.8 | 10.7 | 11.4  | 12.3 |
|                           | 0.90 | 3.10 | 3.30  | 3.55 | 2.94 | 3.13  | 3.37 | 2.81 | 2.99  | 3.22 | 2.70 | 2.87  | 3.09 | 2.60 | 2.77  | 2.98 | 2.52 | 2.68  | 2.89 |
|                           |      | 12.6 | 13.4  | 14.4 | 13.3 | 14.1  | 15.2 | 14.0 | 14.9  | 16.0 | 14.7 | 15.6  | 16.9 | 15.4 | 16.4  | 17.7 | 16.1 | 17.1  | 18.4 |
|                           | 1.20 | 3.10 | 3.30  | 3.55 | 2.94 | 3.13  | 3.37 | 2.81 | 2.99  | 3.22 | 2.70 | 2.87  | 3.03 | 2.60 | 2.77  | 2.79 | 2.52 | 2.58  | 2.58 |
|                           |      | 16.8 | 17.8  | 19.2 | 17.7 | 18.8  | 20.3 | 18.7 | 19.9  | 21.4 | 19.6 | 20.9  | 20.6 | 21.8 | 22.0  | 21.5 | 22.0 | 22.0  | 22.0 |
|                           | 1.50 | 3.10 | 3.26  | 3.26 | 2.92 | 2.92  | 2.92 | 2.65 | 2.65  | 2.65 | 2.42 | 2.42  | 2.42 | 2.23 | 2.23  | 2.23 | 2.07 | 2.07  | 2.07 |
|                           |      | 21.0 | 22.0  | 22.0 | 22.0 | 22.0  | 22.0 | 22.0 | 22.0  | 22.0 | 22.0 | 22.0  | 22.0 | 22.0 | 22.0  | 22.0 | 22.0 | 22.0  | 22.0 |
|                           | 1.80 | 2.50 | 2.50  | 2.50 | 2.24 | 2.24  | 2.24 | 2.03 | 2.03  | 2.03 | 1.86 | 1.86  | 1.86 | 1.71 | 1.71  | 1.71 | 1.59 | 1.59  | 1.59 |
|                           |      | 22.0 | 22.0  | 22.0 | 22.0 | 22.0  | 22.0 | 22.0 | 22.0  | 22.0 | 22.0 | 22.0  | 22.0 | 22.0 | 22.0  | 22.0 | 22.0 | 22.0  | 22.0 |
|                           | 2.10 | 1.91 | 1.91  | 1.91 | 1.71 | 1.71  | 1.71 | 1.55 | 1.55  | 1.55 | 1.42 | 1.42  | 1.42 | 1.30 | 1.30  | 1.30 | 1.21 | 1.21  | 1.21 |
|                           |      | 22.0 | 22.0  | 22.0 | 22.0 | 22.0  | 22.0 | 22.0 | 22.0  | 22.0 | 22.0 | 22.0  | 22.0 | 22.0 | 22.0  | 22.0 | 22.0 | 22.0  | 22.0 |
|                           | 2.40 | 1.54 | 1.54  | 1.54 | 1.38 | 1.38  | 1.38 | 1.25 | 1.25  | 1.25 | 1.15 | 1.15  | 1.15 | 1.06 | 1.06  | 1.06 | 0.98 | 0.98  | 0.98 |
|                           |      | 22.0 | 22.0  | 22.0 | 22.0 | 22.0  | 22.0 | 22.0 | 22.0  | 22.0 | 22.0 | 22.0  | 22.0 | 22.0 | 22.0  | 22.0 | 22.0 | 22.0  | 22.0 |

| Slab Thickness [m]        |      | 0.22 |       |      | 0.24  |      |      | 0.26  |      |      | 0.28  |      |      | 0.30  |      |      | 0.35 |      |
|---------------------------|------|------|-------|------|-------|------|------|-------|------|------|-------|------|------|-------|------|------|------|------|
| Load q* [kN/m²]           |      | 7.6  |       |      | 8.1   |      |      | 8.7   |      |      | 9.2   |      |      | 9.8   |      |      | 11.3 |      |
| Sec. Girder Spacing a [m] |      | 0.75 | 0.625 | 0.50 | 0.625 | 0.50 | 0.40 | 0.625 | 0.50 | 0.40 | 0.625 | 0.50 | 0.40 | 0.625 | 0.50 | 0.40 | 0.50 | 0.40 |
| Prop Spacing c [m]        | 0.60 | 2.45 | 2.60  | 2.80 | 2.53  | 2.73 | 2.94 | 2.47  | 2.66 | 2.86 | 2.41  | 2.60 | 2.80 | 2.36  | 2.54 | 2.74 | 2.42 | 2.61 |
|                           |      | 11.2 | 11.9  | 12.8 | 12.4  | 13.3 | 14.3 | 12.8  | 13.8 | 14.9 | 13.3  | 14.3 | 15.4 | 13.8  | 14.9 | 16.0 | 16.4 | 17.7 |
|                           | 0.90 | 2.45 | 2.60  | 2.80 | 2.53  | 2.73 | 2.94 | 2.47  | 2.66 | 2.82 | 2.41  | 2.60 | 2.66 | 2.36  | 2.50 | 2.50 | 2.16 | 2.16 |
|                           |      | 16.8 | 17.8  | 19.2 | 18.5  | 20.0 | 21.5 | 19.2  | 20.7 | 22.0 | 19.9  | 21.5 | 22.0 | 20.7  | 22.0 | 22.0 | 22.0 | 22.0 |
|                           | 1.20 | 2.41 | 2.41  | 2.41 | 2.25  | 2.25 | 2.25 | 2.12  | 2.12 | 2.12 | 2.00  | 2.00 | 2.00 | 1.88  | 1.88 | 1.88 | 1.62 | 1.62 |
|                           |      | 22.0 | 22.0  | 22.0 | 22.0  | 22.0 | 22.0 | 22.0  | 22.0 | 22.0 | 22.0  | 22.0 | 22.0 | 22.0  | 22.0 | 22.0 | 22.0 | 22.0 |
|                           | 1.50 | 1.92 | 1.92  | 1.92 | 1.80  | 1.80 | 1.80 | 1.69  | 1.69 | 1.69 | 1.60  | 1.60 | 1.60 | 1.50  | 1.50 | 1.59 | 1.30 | 1.30 |
|                           |      | 22.0 | 22.0  | 22.0 | 22.0  | 22.0 | 22.0 | 22.0  | 22.0 | 22.0 | 22.0  | 22.0 | 22.0 | 22.0  | 22.0 | 22.0 | 22.0 | 22.0 |
|                           | 1.80 | 1.48 | 1.48  | 1.48 | 1.38  | 1.38 | 1.38 | 1.30  | 1.30 | 1.30 | 1.23  | 1.23 | 1.23 | 1.15  | 1.15 | 1.15 | 1.00 | 1.00 |
|                           |      | 22.0 | 22.0  | 22.0 | 22.0  | 22.0 | 22.0 | 22.0  | 22.0 | 22.0 | 22.0  | 22.0 | 22.0 | 22.0  | 22.0 | 22.0 | 22.0 | 22.0 |
|                           | 2.10 | 1.13 | 1.13  | 1.13 | 1.05  | 1.05 | 1.05 | 0.99  | 0.99 | 0.99 | 0.93  | 0.93 | 0.93 | 0.88  | 0.88 | 0.88 | 0.76 | 0.76 |
|                           |      | 22.0 | 22.0  | 22.0 | 22.0  | 22.0 | 22.0 | 22.0  | 22.0 | 22.0 | 22.0  | 22.0 | 22.0 | 22.0  | 22.0 | 22.0 | 22.0 | 22.0 |
|                           | 2.40 | 0.91 | 0.91  | 0.91 | 0.85  | 0.85 | 0.85 | 0.80  | 0.80 | 0.80 | 0.76  | 0.76 | 0.76 | 0.71  | 0.71 | 0.71 | 0.61 | 0.61 |
|                           |      | 22.0 | 22.0  | 22.0 | 22.0  | 22.0 | 22.0 | 22.0  | 22.0 | 22.0 | 22.0  | 22.0 | 22.0 | 22.0  | 22.0 | 22.0 | 22.0 | 22.0 |

| Slab Thickness [m]              |      | 0.40 |      | 0.45 |      | 0.50 |      |
|---------------------------------|------|------|------|------|------|------|------|
| Load $q^*$ [kN/m <sup>2</sup> ] |      | 12.9 |      | 14.4 |      | 16.0 |      |
| Sec. Girder Spacing $a$ [m]     |      | 0.50 | 0.40 | 0.50 | 0.40 | 0.50 | 0.40 |
| Prop Spacing $c$ [m]            | 0.60 | 2.32 | 2.50 | 2.23 | 2.40 | 2.16 | 2.29 |
|                                 |      | 17.9 | 19.3 | 19.3 | 20.8 | 20.7 | 22.0 |
|                                 | 0.90 | 1.90 | 1.90 | 1.69 | 1.69 | 1.53 | 1.53 |
|                                 |      | 22.0 | 22.0 | 22.0 | 22.0 | 22.0 | 22.0 |
|                                 | 1.20 | 1.42 | 1.42 | 1.27 | 1.27 | 1.15 | 1.15 |
|                                 |      | 22.0 | 22.0 | 22.0 | 22.0 | 22.0 | 22.0 |
|                                 | 1.50 | 1.14 | 1.14 | 1.02 | 1.02 | 0.92 | 0.92 |
|                                 |      | 22.0 | 22.0 | 22.0 | 22.0 | 22.0 | 22.0 |
|                                 | 1.80 | 0.87 | 0.87 | 0.78 | 0.78 | 0.70 | 0.70 |
|                                 |      | 22.0 | 22.0 | 22.0 | 22.0 | 22.0 | 22.0 |
|                                 | 2.10 | 0.67 | 0.67 | 0.59 | 0.59 | 0.54 | 0.54 |
|                                 |      | 22.0 | 22.0 | 22.0 | 22.0 | 22.0 | 22.0 |
|                                 | 2.40 | 0.54 | 0.54 | 0.48 | 0.48 | 0.43 | 0.43 |
|                                 |      | 22.0 | 22.0 | 22.0 | 22.0 | 22.0 | 22.0 |

**\*Load according to DIN 4421:**

Dead load  $g = 0.40 \text{ kN/m}^2$

Concrete load  $b = 26 \text{ kN/m}^3 \times d \text{ (m)}$

Live load  $p = 0.20 \times b$   
 $1.5 \leq p \leq 5.0 \text{ kN/m}^2$

Total load  $q = g + b + p$

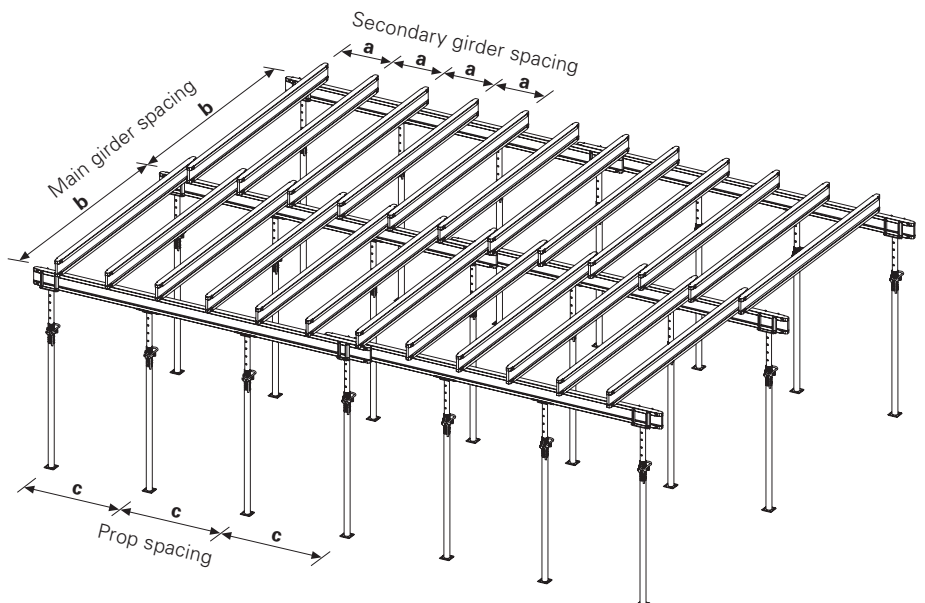
The deflection has been limited to  $l/500$ . Secondary girder assumed as single span.

**Table values mean the following:**

2.25 perm. main girder spacing  $b$  [m]

22.0 actual prop load [kN]

| Girder Lengths [m] | Item no. |
|--------------------|----------|
| 1.45               | 074990   |
| 2.15               | 074905   |
| 2.45               | 074910   |
| 2.65               | 074890   |
| 2.90               | 074920   |
| 3.30               | 074930   |
| 3.60               | 074940   |
| 3.90               | 074950   |
| 4.50               | 074960   |
| 4.90               | 074970   |
| 5.90               | 074980   |



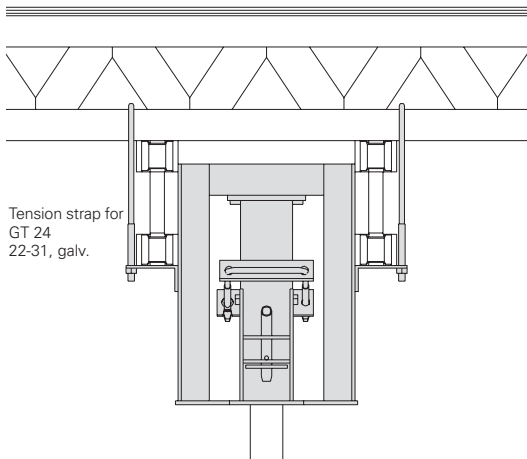
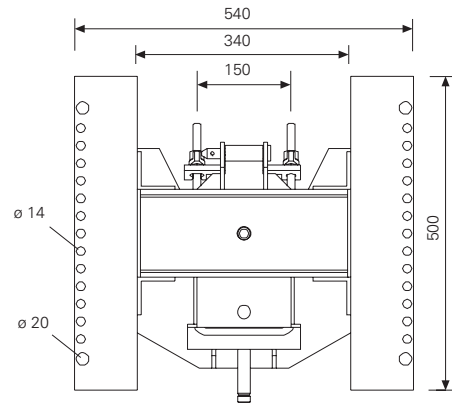
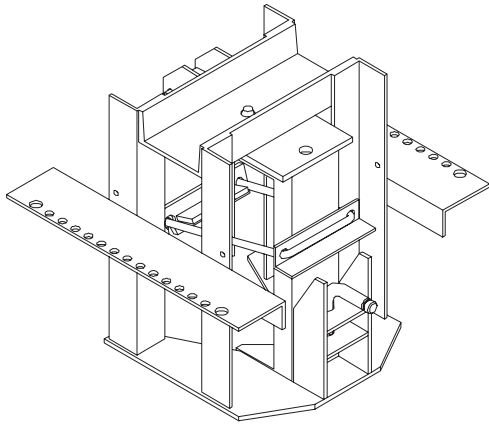
# UNIportal, PERI Tableform and Accessories

| Weight kg | Item no. |
|-----------|----------|
|-----------|----------|

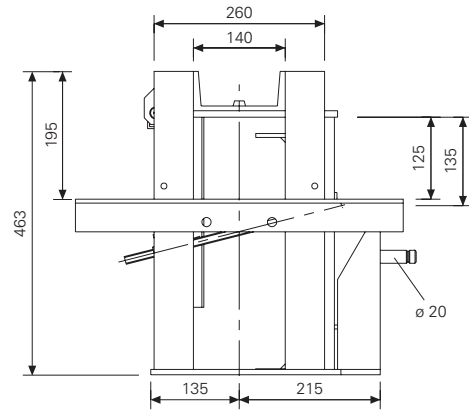
## UNIportal Head, galv.

Complete with:  
 Quick clamping device to connect  
 standard steel props with  $\varnothing 57\text{mm}$  or more  
 as well as PERI MULTIPROPS.  
 Safe working load = 56kN

|       |        |
|-------|--------|
| 37,90 | 028500 |
|-------|--------|



Stacking height = 770



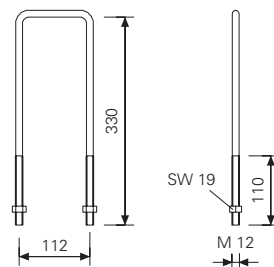
Accessories:

**Tension Strap GT 24, 22-31, galv. (2x)**

|      |        |
|------|--------|
| 0,62 | 028550 |
|------|--------|

**Tension Strap GT 24, 22-31, galv.**  
 2 per UNIportal Head needed.

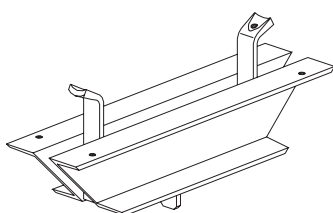
|      |        |
|------|--------|
| 0,62 | 028550 |
|------|--------|



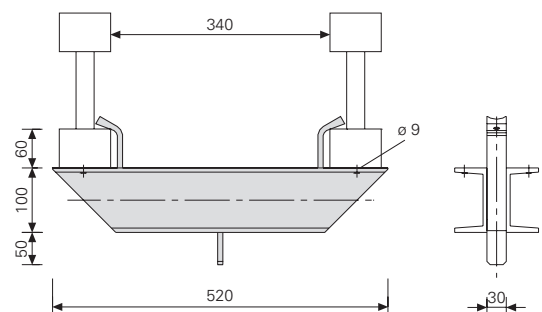
## Yoke Waler UNIportal, galv.

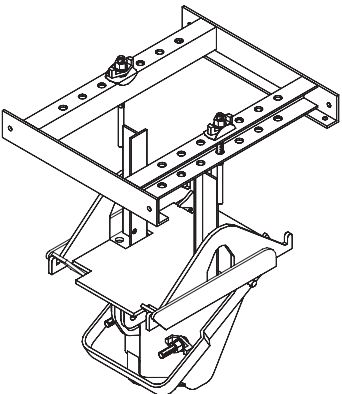
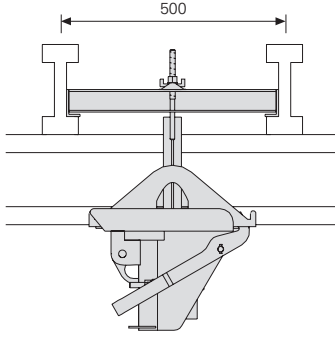
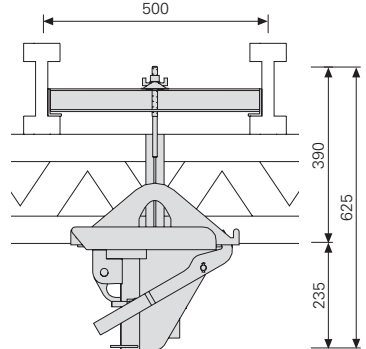
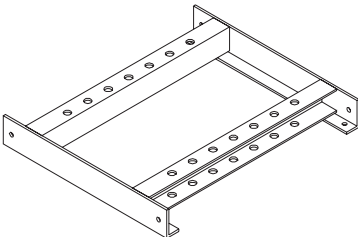
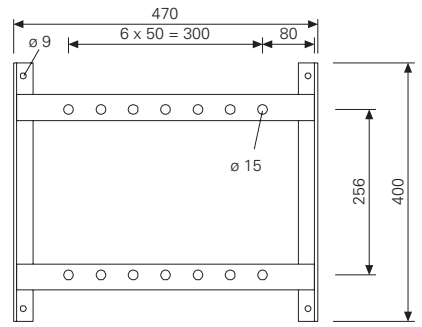
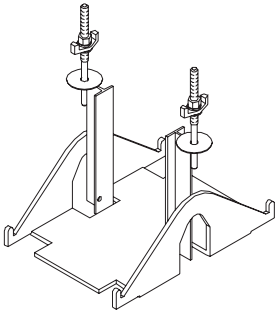
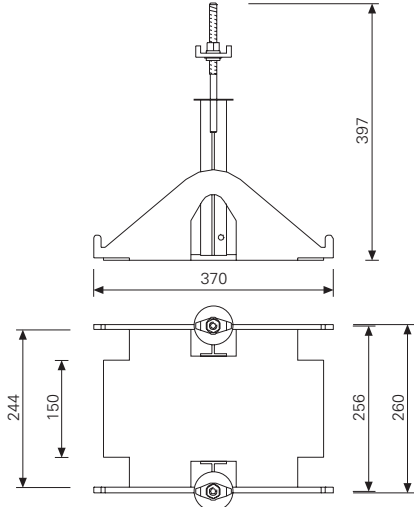
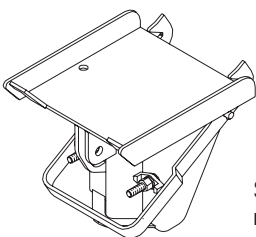
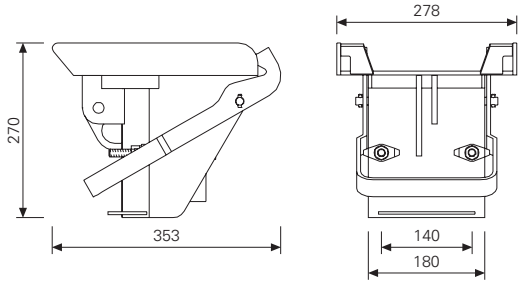
For additional support  
 of UNIportal table forms.

|      |        |
|------|--------|
| 9,85 | 028580 |
|------|--------|



Safe working load = 56kN  
 when load is transferred concentrically



|   | Weight kg             | Item no.                   |   |
|---|-----------------------|----------------------------|---|
| <p><b>Table Swivel Head</b><br/> Consisting of:<br/> <b>Upper Part of Table Swivel Head</b><br/> <b>Middle Part of Table Swivel Head</b><br/> <b>Lower Part of Table Swivel Head</b><br/> Load capacity: 56kN</p>                                        | 6,08<br>9,06<br>11,80 | 100955<br>100954<br>100956 | <p><b>VT 20K main girder</b></p>  <p><b>GT 24 main girder</b></p>  |
| <p><b>Upper Part of Table Swivel Head</b></p>   | 6,08                  | 100955                     |   |
| <p><b>Middle Part of Table Swivel Head</b><br/> Complete with:<br/> mini wing nut Item no. 710338 (2x) and<br/> locking washer Item no. 100960 (2x)</p>    | 9,06                  | 100954                     |   |
| <p><b>Lower Part of Table Swivel Head</b><br/> Complete with:<br/> quick-action clamp for connecting all<br/> common tubular steel props from <math>\varnothing</math> 57mm<br/> and PERI MULTIPROPS.</p>  <p>Spare part:<br/><b>mini wing nut</b></p> | 11,80<br>0,093        | 100956<br>710338           |   |

| Weight kg | Item no. |
|-----------|----------|
|-----------|----------|

**VT Table Modules**

Pre-assembled tableforms available for hire.

Formlining:

finnish combi plywood 21mm

Complete with:

bottom part of table swivel head

supplied loose

**VT Table Module VT 2,00/2,15x4,00m**

396,0

072700

**VT Table Module VT 2,50/2,65x4,00m**

451,0

072720

**VT Table Module VT 2,00/2,15x5,00m**

503,0

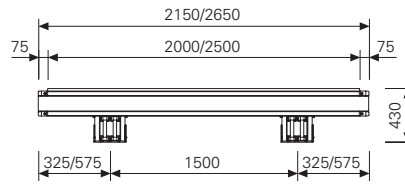
072710

**VT Table Module VT 2,50/2,65x5,00m**

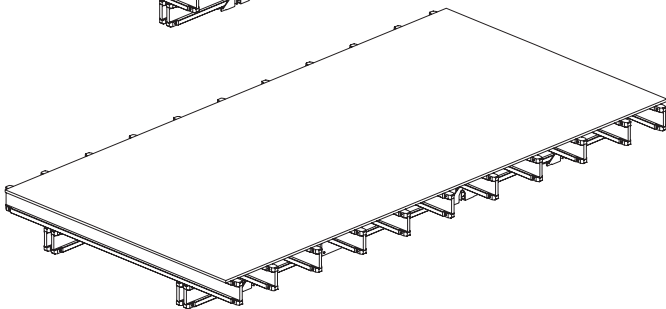
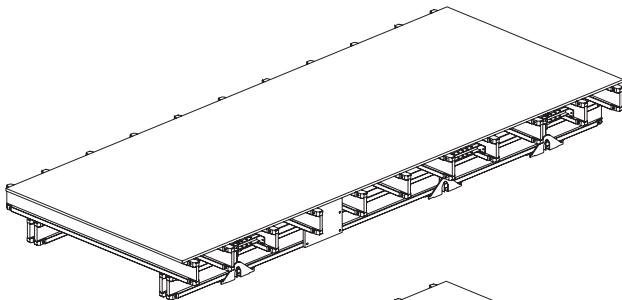
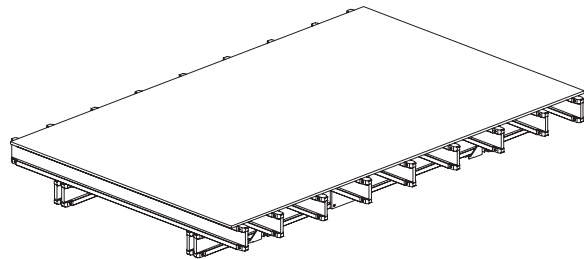
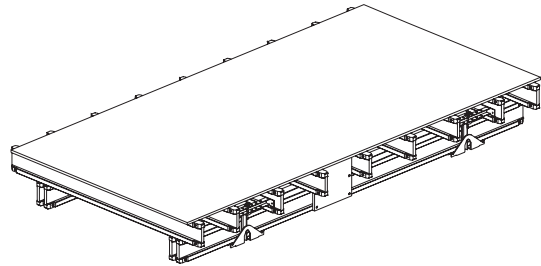
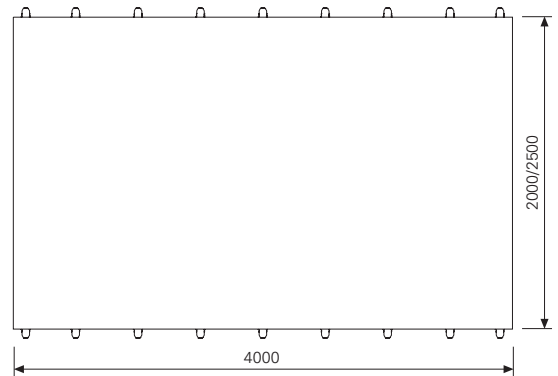
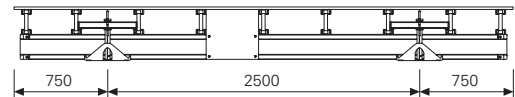
569,0

072730

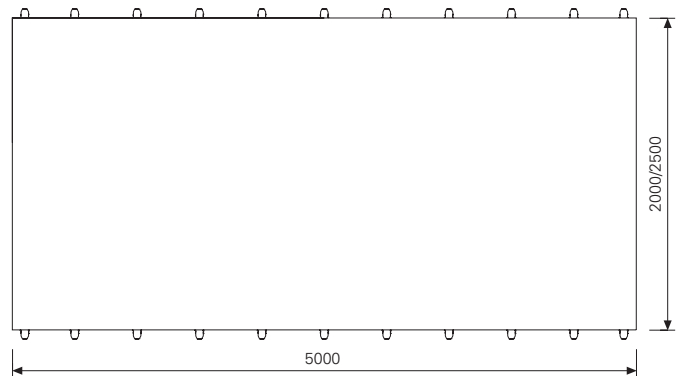
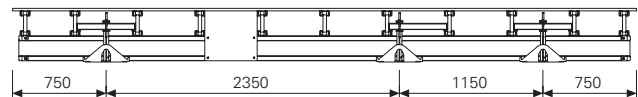
**Cross section**



**Longitudinal section**



**Longitudinal section**



**Stiffening Board, timber, 420x400mm**

1,76

100778

Accessories:

**Lower Part of Table Swivel Head**

11,80

100956



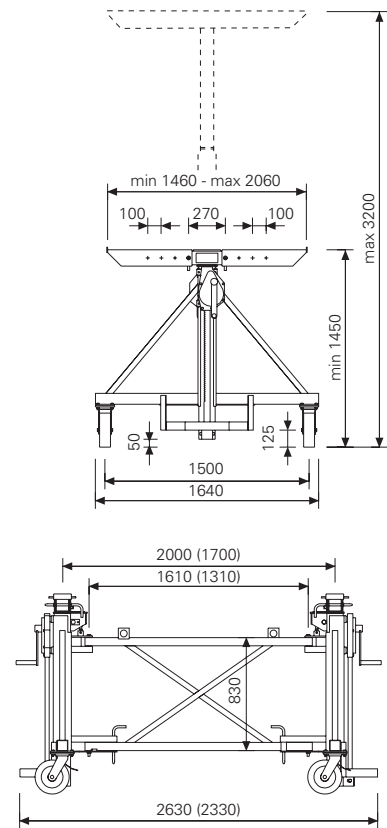
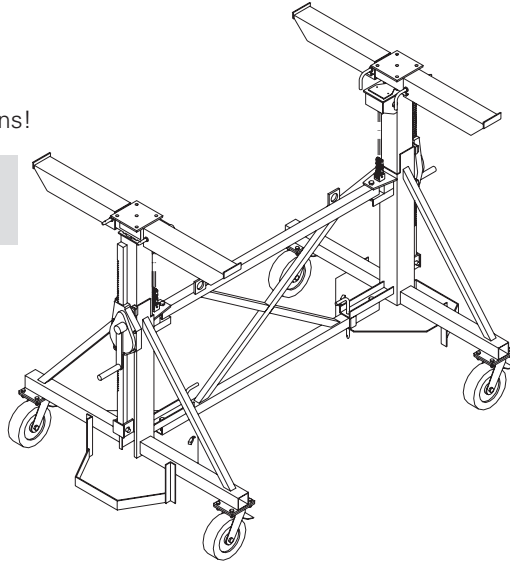
| Weight kg | Item no. |
|-----------|----------|
|-----------|----------|

**Table Striking and Transportation Trolley 2t, L = 200**  
**Table Striking and Transportation Trolley 2t, L = 170**

|        |        |
|--------|--------|
| 433,00 | 028710 |
| 428,00 | 028715 |

For moving PERI tableforms.  
 Not approved for transporting personnel.  
 Only move on clean, level and sufficiently strong surface.  
 Comply with relevant safety regulations.  
 Minimum Height: 1,45m,  
 Maximum Height: 3,20m  
 with extension 100: 4,20m  
 with extension 60 and  
 extension 100: 4,80m  
 Observe operating instructions!

Lifting appliance to  
 BGV D8.  
 Perm. load of each jack: 1t



Accessories:

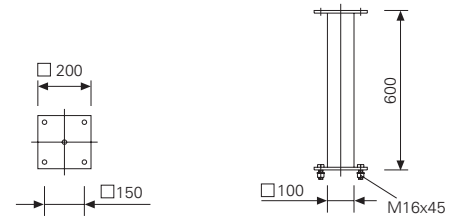
**Centre Cross Bracing 200**  
**Centre Cross Bracing 170**

|       |        |
|-------|--------|
| 26,30 | 102251 |
| 21,80 | 101854 |

**Extension 60**

2 extensions per trolley  
 With the extensions 60 and 100 the working heights of the transportation trolley are raised to a minimum height of 3,05m and a maximum height of 4,80m.  
 Complete with:  
 Hex. Bolt ISO 4017 M16x45-8.8, galv. and with Hex. Nut ISO 7042 M16-8, galv. (4x)

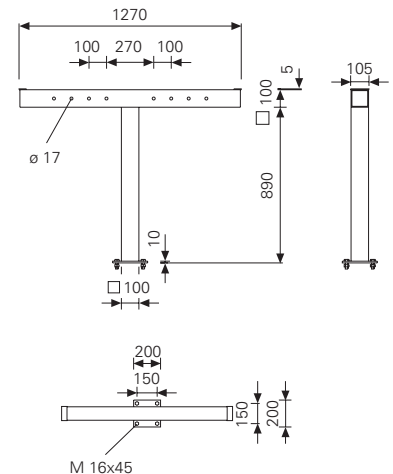
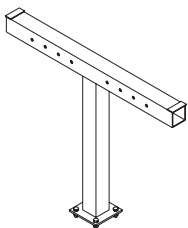
|       |        |
|-------|--------|
| 15,10 | 104050 |
|-------|--------|



**Extension 100 for Table striking and Transportation Trolley**

2 extensions per trolley.  
 Use trolley's telescopic arms.  
 The Extension 100 increases the trolley's working height:  
 Min. height: 2,45m, max. height: 4,20m  
 Complete with:  
 Hex. Bolt ISO 4017 M16x45-8.8, galv. and with Hex. Nut ISO 7042 M16-8, galv. (4x)

|       |        |
|-------|--------|
| 34,60 | 028720 |
|-------|--------|



Weight kg    Item no.

**PERI Table Lift PTL 1250**

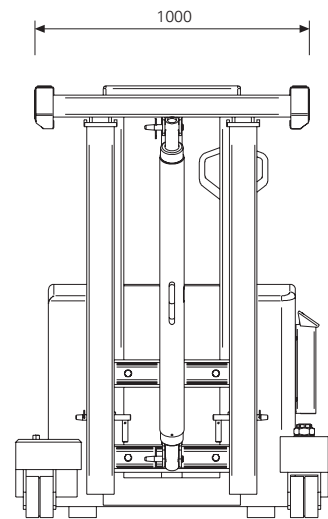
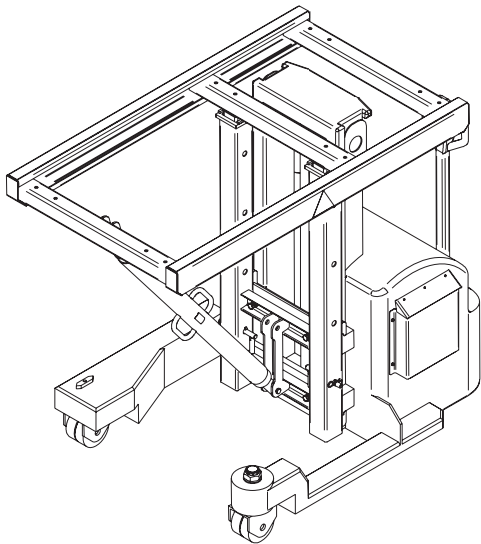
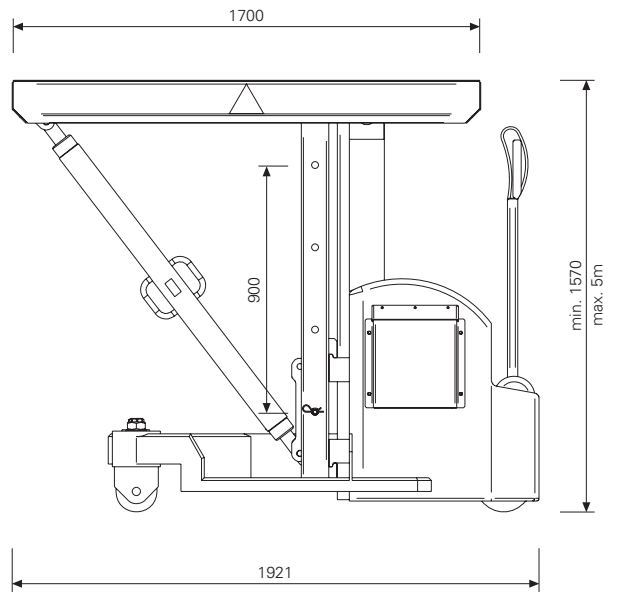
For moving PERI slab tables.  
Not approved for transporting personnel.  
Use only on clean, flat and sufficiently  
load-carrying surfaces.  
Observe valid safety regulations.

Min. height: 1,6m  
Max. height: 5m  
Load-bearing capacity: 1250kg  
Required current supply for loading  
procedure: 230V 50/60Hz  
Follow operating instructions.

Floor conveyor vehicle  
Load-bearing capacity: 1250kg

Complete with:  
Canister with distilled water  
Vehicle key  
Documentation

1488,0    108108



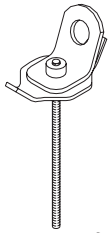
Weight kg    Item no.

**UNIPORTAL Crane Lifting Unit**

Consisting of:

**Crane Lifting Unit, Upper Part**

Follow Instructions for Use!



Lifting device to BGR 500  
Permissible load: 500kg with  
legs of lifting gear at  $\leq 30^\circ$   
to the vertical.

3,51

028570

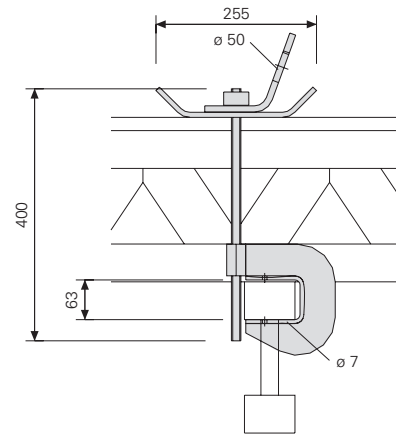
**Lifting Unit,  
Lower Part UNIPORTAL**



Load-bearing point  
Permissible load: 500kg

1,83

028560



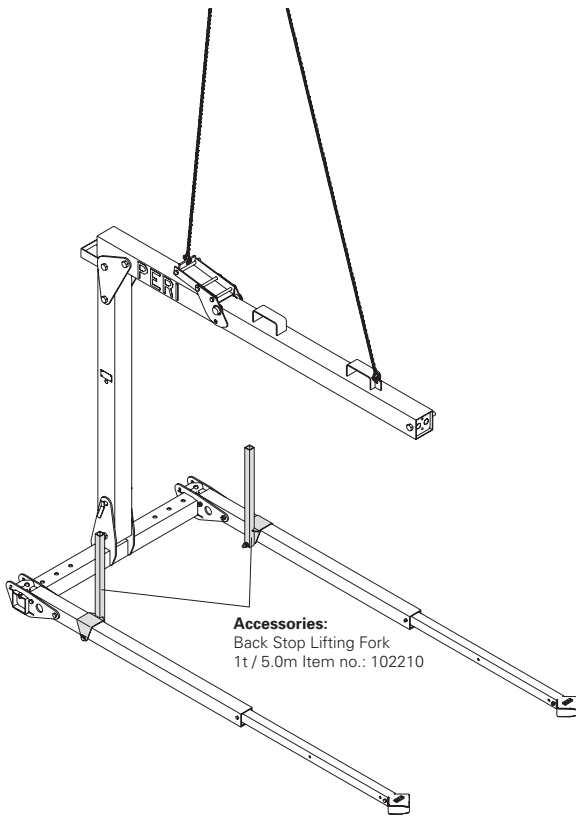
**Lifting Fork 1t / 5,0m, galv.**

Table length: up to 5,0m

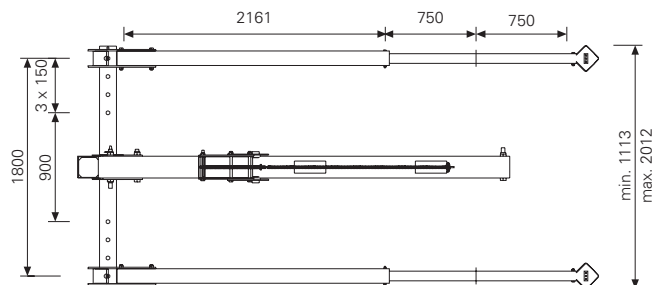
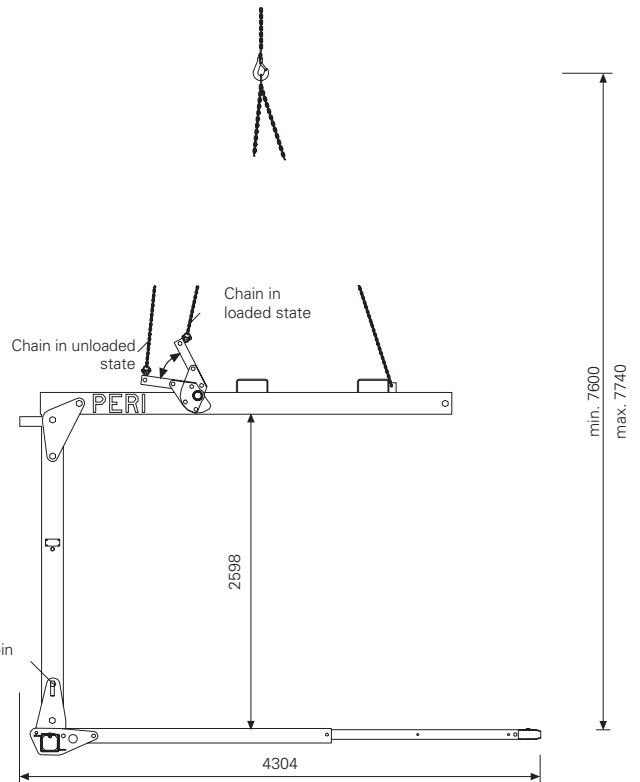
Follow Instructions for Use!

564,00

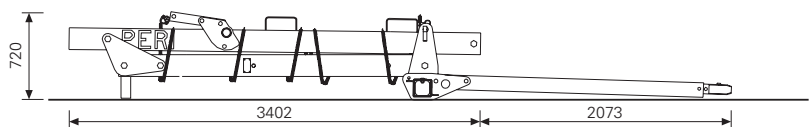
101862



**Accessories:**  
Back Stop Lifting Fork  
1t / 5.0m Item no.: 102210



**Stacking height**

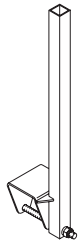


Lifting device to  
BGR 500  
Perm. load: 1,0t

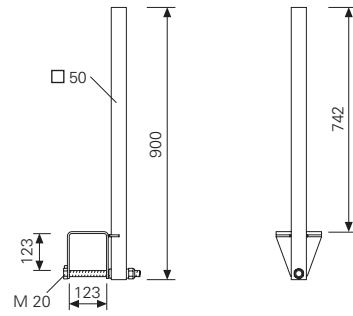
| Weight kg | Item no. |
|-----------|----------|
|-----------|----------|

**Back Stop Lifting Fork 1t / 5,0m**

Always use in pairs.



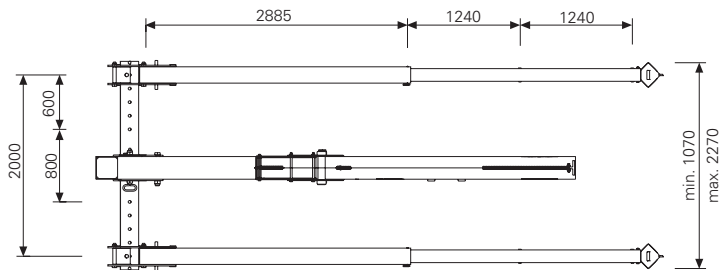
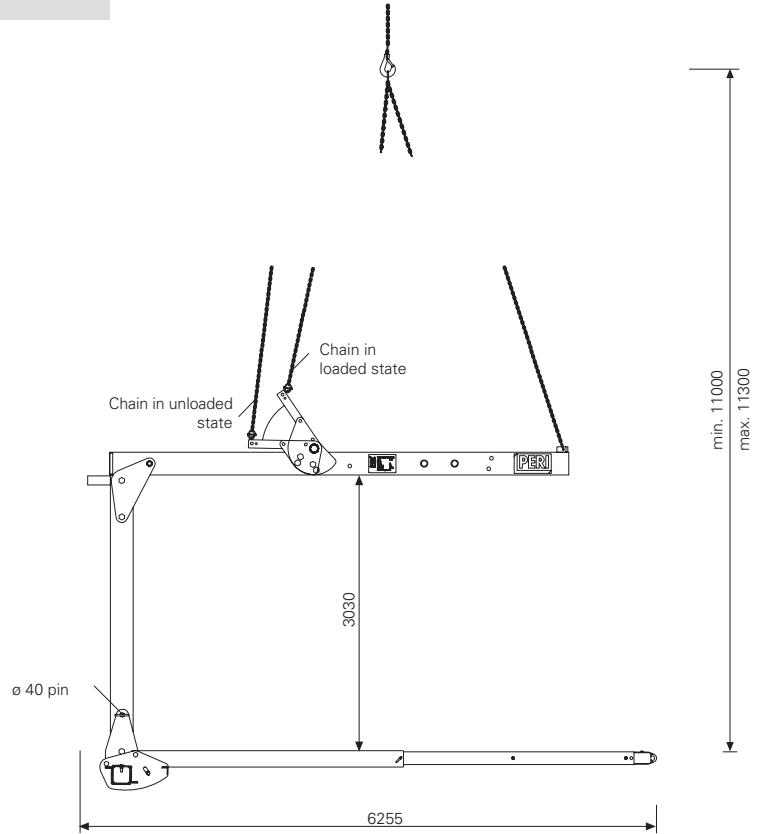
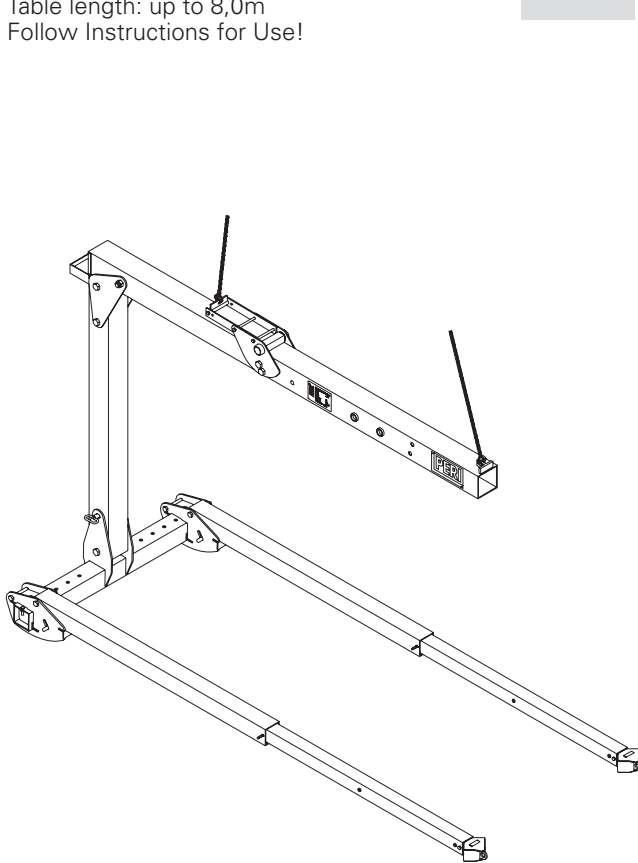
|      |        |
|------|--------|
| 8,61 | 102210 |
|------|--------|



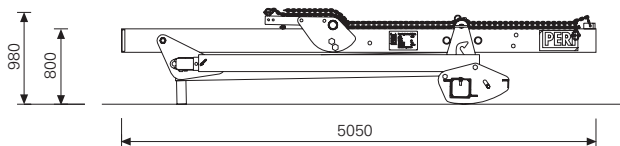
**Lifting fork 1,75t / 8,0m, galv.**

Table length: up to 8,0m  
Follow Instructions for Use!

|         |        |
|---------|--------|
| 1552,00 | 103212 |
|---------|--------|



**Stacking height**

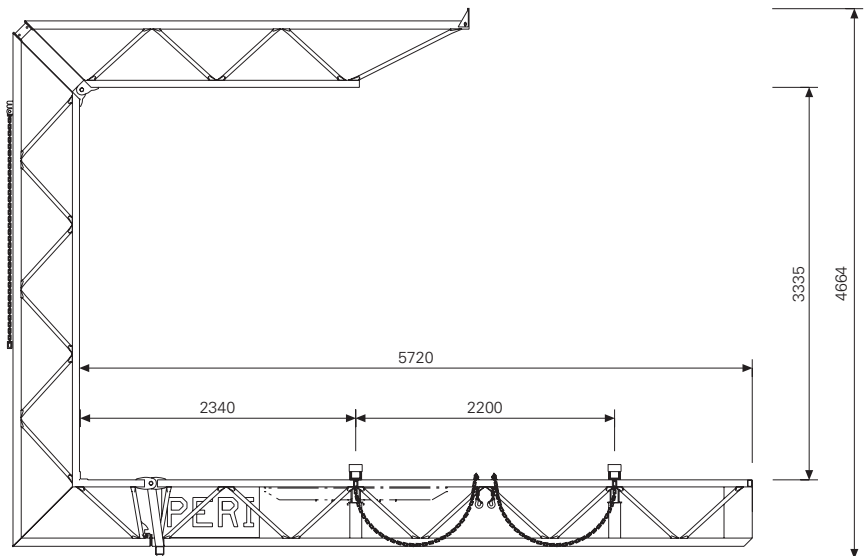
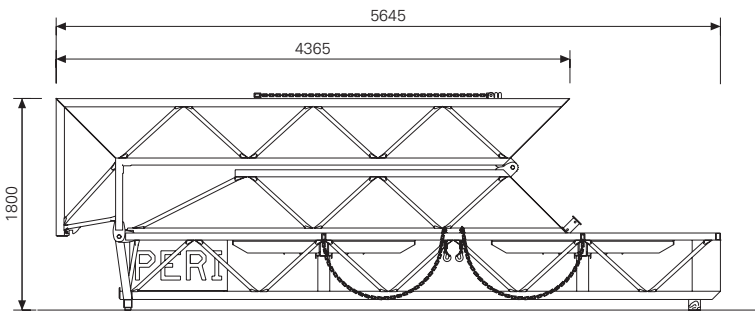
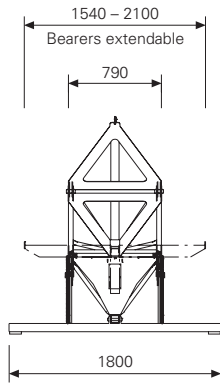
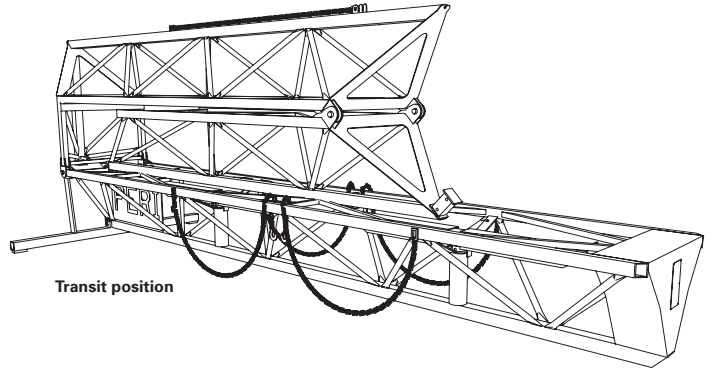
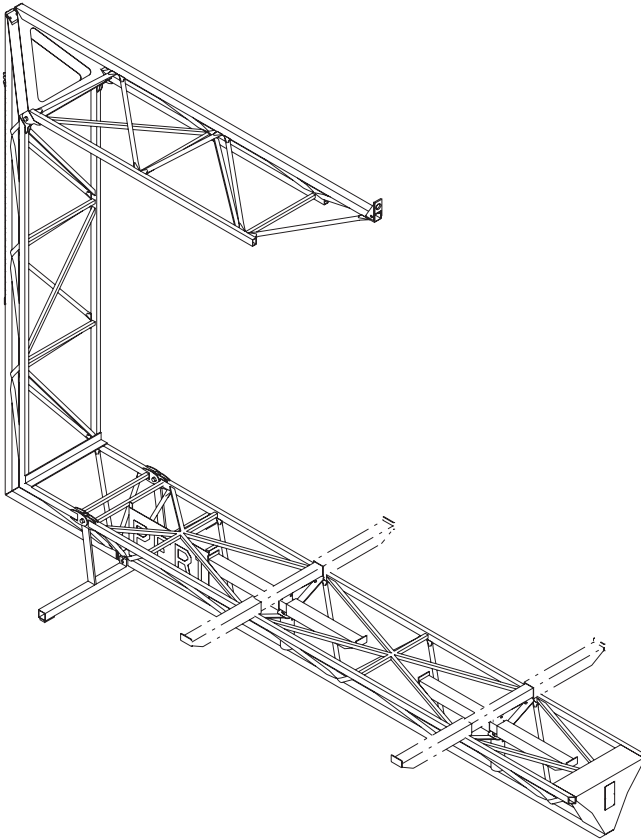


Lifting device to  
BGR 500  
Perm. load: 1,75t

Manufacture of items shown on this page has been discontinued. These items are only available from rental stock.

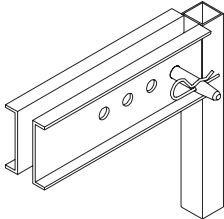
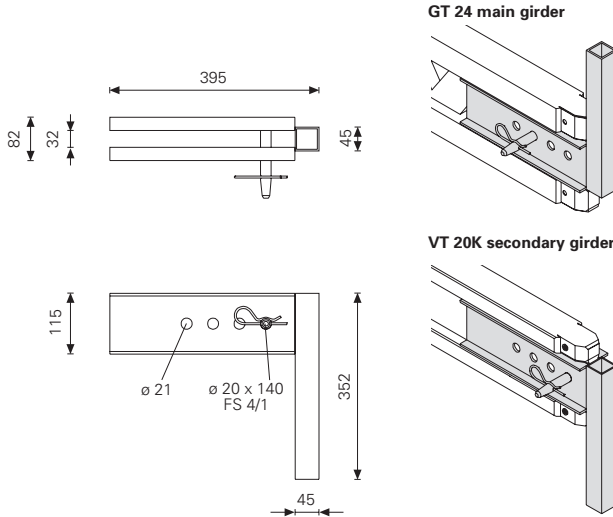
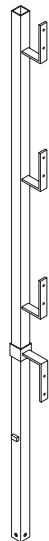
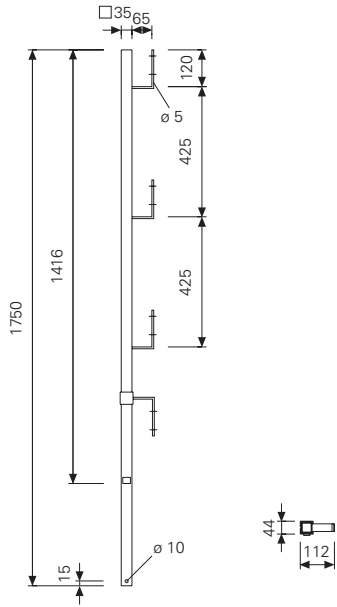
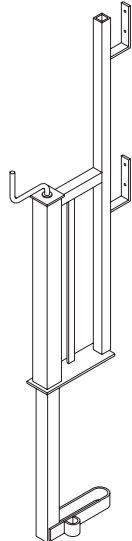
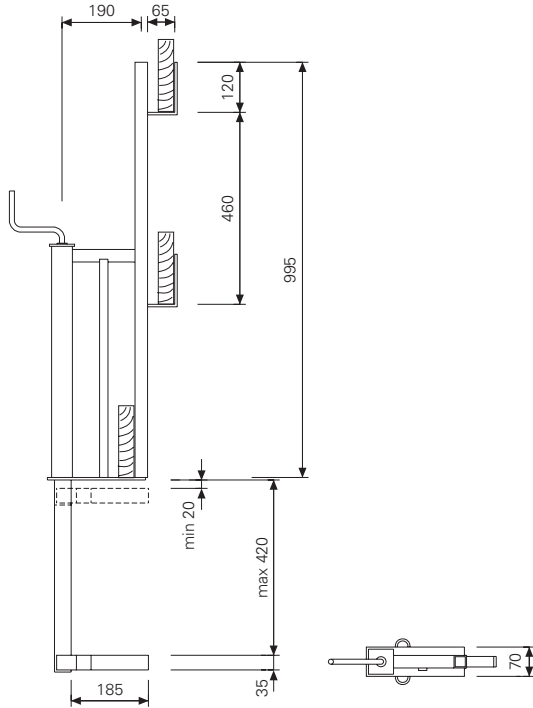
| Weight kg | Item no. |
|-----------|----------|
| 924,00    | 019130   |

**Hook 15kN, galv.**  
 Table length 4,0 up to 7,0m  
 Follow Instructions for Use!



Lifting device to  
 BGR 500  
 Perm. load: 1,5t



|  | Weight kg | Item no. |  |
|--|-----------|----------|--|
| <p><b>Handrail Holder GT 24/VT 20</b><br/>           For using the safety handrail post SGP.<br/>           Complete with:<br/>           pin 20x140 (1x) and<br/>           cotter pin 4/1 (1x)<br/>           For mounting on<br/>           primary girder: vertical SHS upwards;<br/>           secondary girder: vertical SHS downwards;</p>  <p>Accessories:<br/> <b>Handrail Post SGP</b></p> | 5,67      | 101290   |    |
| <p><b>Handrail Post SGP</b><br/>           For use with GT 24/VT 20 handrail holder.</p>    | 5,82      | 061260   |   |
| <p><b>Handrail Holder</b><br/>           For easy and quick clamping to concrete<br/>           slabs for supporting handrails.<br/>           Adjustable from 20 up to 420mm.</p>   | 9,79      | 035700   |  |



**GT 24 Girder**

German Approval

Certificate No. Z-9.1-157

Perm. Shear Force  $Q_D$  = 14,0kN\*

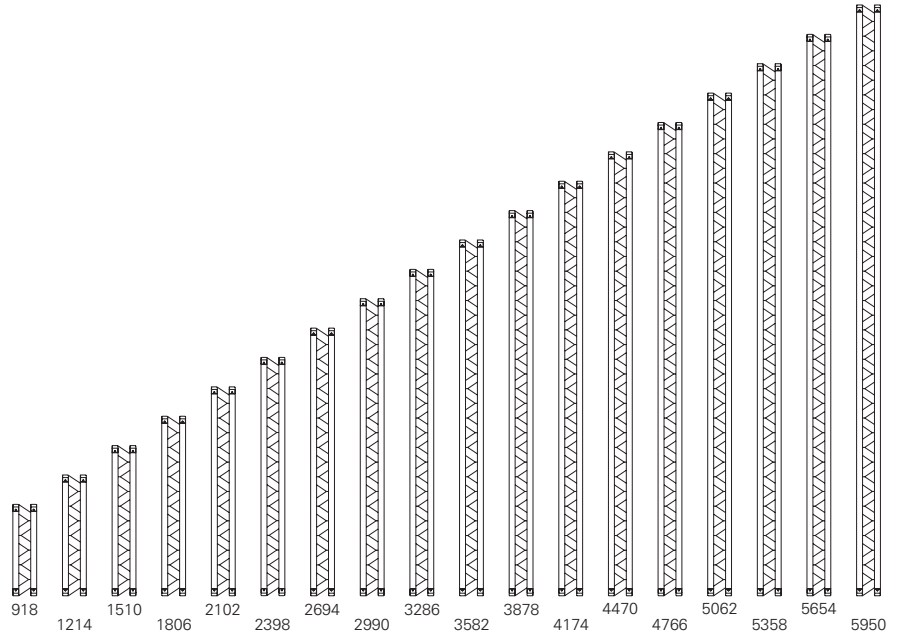
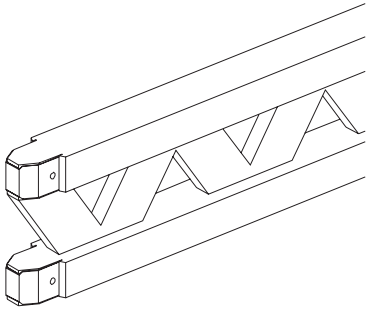
Perm. Shear Force  $Q_Z$  = 13,0kN\*\*

Perm. Bending Moment  $M$  = 7,0kNm

Moment of Inertia  $I_y$  = 8000cm<sup>4</sup>

\*  $Q_D$  = Permiss. shear force on compression struts

\*\*  $Q_Z$  = Permiss. shear force on tension struts



To simplify handling the most common GT 24 Girders are colour coded for length.

- brown
- grey
- blue
- red
- green

**Nominal Lengths**

**0,60m RF**

**0,90m**

**1,20m**

**1,50m**

**1,80m**

**2,10m**

**2,40m**

**2,70m**

**3,00m**

**3,30m**

**3,60m**

**3,90m**

**4,20m**

**4,50m**

**4,80m**

**5,10m**

**5,40m**

**5,70m**

**6,00m**

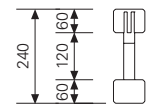
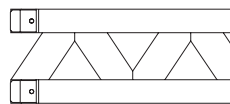
**GT 24 Special Lengths**

6,00-17,80m

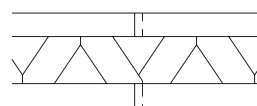
**Girder Joint**

|        |        |
|--------|--------|
| 4,45   | 075090 |
| 5,30   | 075100 |
| 7,10   | 075120 |
| 8,90   | 075150 |
| 10,60  | 075180 |
| 12,40  | 075210 |
| 14,20  | 075240 |
| 15,90  | 075270 |
| 17,70  | 075300 |
| 19,50  | 075330 |
| 21,20  | 075360 |
| 23,00  | 075390 |
| 24,80  | 075420 |
| 26,60  | 075450 |
| 28,30  | 075480 |
| 30,10  | 075510 |
| 31,90  | 075540 |
| 33,60  | 075570 |
| 35,40  | 075600 |
| 5,90/m | 075000 |
|        | 070700 |

**Girder end**



**Girder joint**

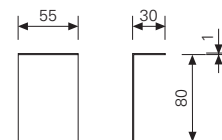


**End Protection Cap GT 24, galv.**

For protecting timber chord of girder against being sawn off accidentally.



|      |        |
|------|--------|
| 0,06 | 070750 |
|------|--------|

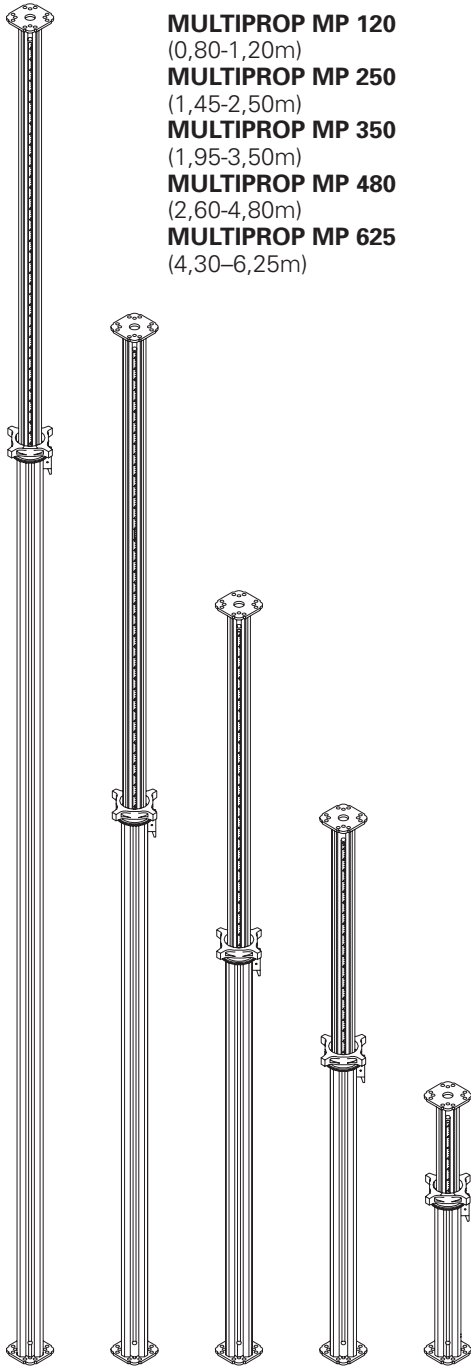




# MULTIPROP and Accessories

## MULTIPROP MP, Alu

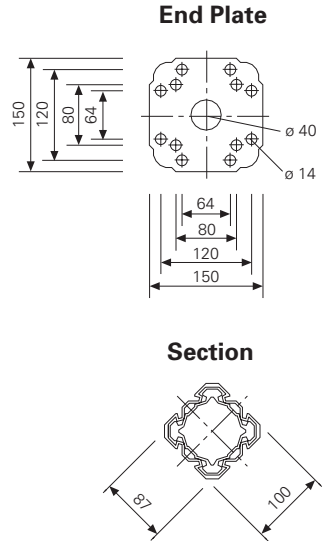
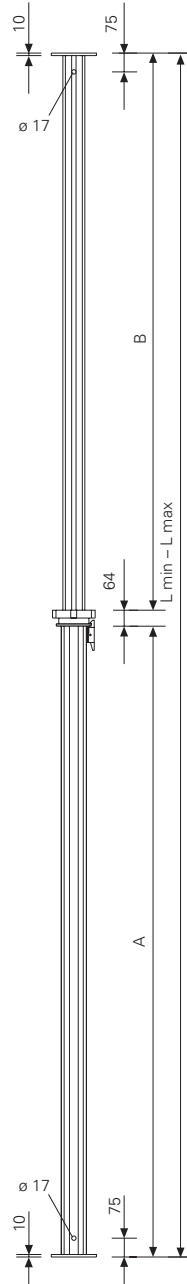
Can be used individually, as well as in combination with MULTIPROP MRK Frames tableforms or shoring towers.



- MULTIPROP MP 120**  
(0,80-1,20m)
- MULTIPROP MP 250**  
(1,45-2,50m)
- MULTIPROP MP 350**  
(1,95-3,50m)
- MULTIPROP MP 480**  
(2,60-4,80m)
- MULTIPROP MP 625**  
(4,30-6,25m)

Weight kg    Item no.

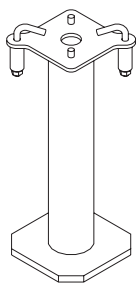
- 10,40    027288
- 15,00    027289
- 18,80    027290
- 23,80    027291
- 33,60    027305



|               | L min. | L max. | A    | B    |
|---------------|--------|--------|------|------|
| <b>MP 120</b> | 800    | 1200   | 715  | 421  |
| <b>MP 250</b> | 1450   | 2500   | 1365 | 1071 |
| <b>MP 350</b> | 1950   | 3500   | 1865 | 1571 |
| <b>MP 480</b> | 2600   | 4800   | 2515 | 2221 |
| <b>MP 625</b> | 4300   | 6250   | 4211 | 1975 |

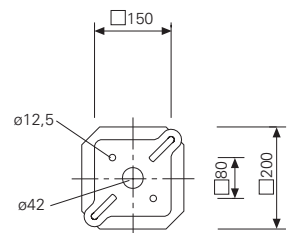
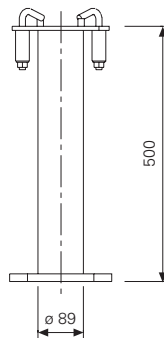
## Base MP 50

With quick action clamp coupling.



For mounting props with 6 to 10mm thick end plates.

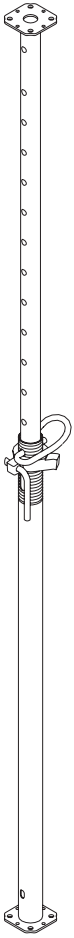
8,81    027310



# PEP 20, PEP 30 Props

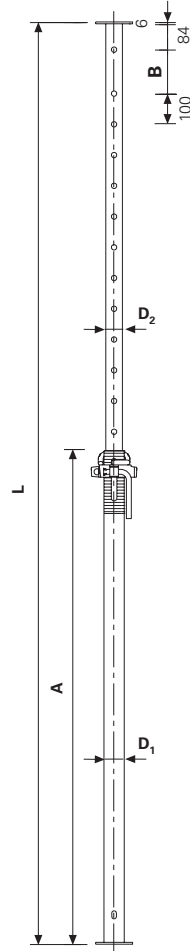
Weight kg    Item no.

## Props PEP 20, galv.

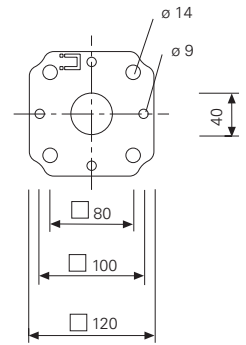


|                   |                |
|-------------------|----------------|
| <b>PEP 20-300</b> | L = 1,71-3,00m |
| <b>PEP 20-350</b> | L = 1,96-3,50m |
| <b>PEP 20-400</b> | L = 2,21-4,00m |
| <b>PEP 20-500</b> | L = 2,71-5,00m |

|       |        |
|-------|--------|
| 15,70 | 103058 |
| 19,20 | 103059 |
| 22,70 | 103060 |
| 30,50 | 103061 |



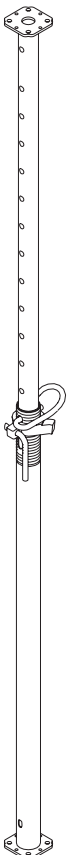
### End Plate



For load capacity refer to PERI Formwork Design Tables.

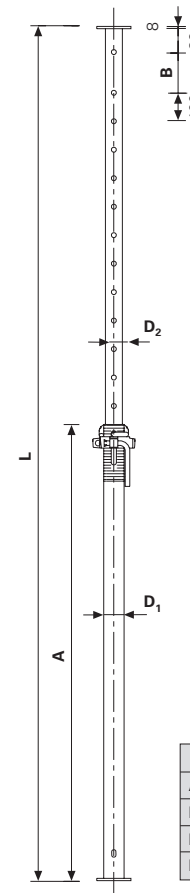
|                      | 20-300 | 20-350 | 20-400 | 20-500 |
|----------------------|--------|--------|--------|--------|
| <b>A</b>             | 1602   | 1852   | 2102   | 2602   |
| <b>B</b>             | 143    | 93     | 143    | 143    |
| <b>D<sub>1</sub></b> | ∅ 66.0 | ∅ 71.5 | ∅ 75.5 | ∅ 84.0 |
| <b>D<sub>2</sub></b> | ∅ 54.0 | ∅ 59.5 | ∅ 63.5 | ∅ 72.0 |

## Props PEP 30, galv.

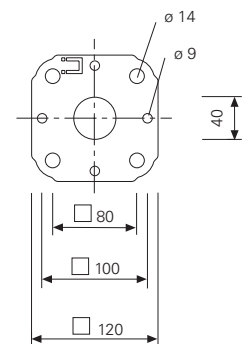


|                   |                |
|-------------------|----------------|
| <b>PEP 30-150</b> | L = 0,96-1,50m |
| <b>PEP 30-250</b> | L = 1,46-2,50m |
| <b>PEP 30-300</b> | L = 1,71-3,00m |
| <b>PEP 30-350</b> | L = 1,96-3,50m |
| <b>PEP 30-400</b> | L = 2,21-4,00m |

|       |        |
|-------|--------|
| 10,40 | 103066 |
| 15,00 | 103067 |
| 18,70 | 103062 |
| 22,70 | 103063 |
| 27,20 | 103065 |



### End Plate



For load capacity refer to PERI Formwork Design Tables.

|                      | 30-150 | 30-250 | 30-300 | 30-350 | 30-400 |
|----------------------|--------|--------|--------|--------|--------|
| <b>A</b>             | 852    | 1352   | 1602   | 1852   | 2102   |
| <b>B</b>             | 93     | 93     | 143    | 93     | 143    |
| <b>D<sub>1</sub></b> | ∅ 66.0 | ∅ 66.0 | ∅ 71.5 | ∅ 75.5 | ∅ 84.0 |
| <b>D<sub>2</sub></b> | ∅ 54.0 | ∅ 54.0 | ∅ 59.5 | ∅ 63.5 | ∅ 72.0 |





**01 PERI GmbH**  
Rudolf-Diesel-Strasse  
34-36 rue des Frères Lumière  
89264 Weissenhorn  
info@peri.de  
www.peri.de



**02 France**  
PERI S.A.S.  
Zone Industrielle Nord  
34-36 rue des Frères Lumière  
**77109 Meaux Cedex**  
peri.sas@peri.fr  
www.peri.fr

**03 Switzerland**  
PERI AG  
Aspstraße 17  
**8472 Ohringen**  
info@peri.ch  
www.peri.ch

**04 Spain**  
PERI S.A. Sociedad  
Unipersonal  
Ctra. Paracuellos -  
Fuente el Saz km. 18,9  
Cno. de Malatones, km. 0,5  
**28110 Algete/Madrid**  
info@peri.es  
www.peri.es

**05 Belgium/Luxembourg**  
N.V. PERI S.A.  
Industriepark  
Nijverheidsstraat 6 PB 54  
**1840 Londerzeel**  
info@peri.be  
www.peri.be

**06 Netherlands**  
PERI B.V.  
v. Leeuwenhoekweg 23  
Postbus 304  
**5480 AH-Schijndel**  
info@peri.nl  
www.peri.nl

**07 USA**  
PERI Formwork Systems, Inc.  
7135 Dorsey Run Road  
**Elkridge, MD 21075**  
info@peri-usa.com  
www.peri-usa.com

**08 Indonesia**  
PT Beton Perkasa Wijaksana  
P.O. Box 3737  
**Jakarta 10210**  
bpw@betonperkasa.com  
www.peri.de

**09 Italy**  
PERI S.p.A.  
Via G. Pascoli, 4  
**20060 Basiglio (MI)**  
info@peri.it  
www.peri.it

**10 Japan**  
PERI Japan K.K.  
7F Hakozaki 314 Building,  
31-4 Hakozaki-cho,  
Nihonbashi Chuo-ku  
**Tokyo 103-0015**  
info@perijapan.jp  
www.perijapan.jp

**11 United Kingdom/Ireland**  
PERI Ltd.  
Market Harborough Road  
Clifton upon Dunsmore  
**Rugby, CV23 0AN**  
info@peri.ltd.uk  
www.peri.ltd.uk

**12 Turkey**  
PERI Kalip ve İskeleleri  
San. ve Tic. Ltd. Sti.  
Çakmaklı Mahallesi  
Akçaburgaz Cad.  
72. Sokak No: 23  
**Kıraç - Büyükköycece/İstanbul 34500**  
info@peri.com.tr  
www.peri.com.tr

**13 Hungary**  
PERI Kft.  
Zádor u. 4.  
**1181 Budapest**  
info@peri.hu  
www.peri.hu

**14 Malaysia**  
PERI Formwork Malaysia  
Sdn. Bhd.  
Unit 19-07-4, Level 7  
PNB Damansara  
19 Lorong Dungun  
Damansara Heights  
**50490 Kuala Lumpur**  
info@perimalaysia.com  
www.perimalaysia.com

**15 Singapore**  
PERI ASIA Pte. Ltd  
Formwork Pte. Ltd.  
No. 1 Sims Lane # 06-10  
**Singapore 387355**  
pha@periasia.com  
www.periasia.com

**16 Austria**  
PERI Ges.mbh  
Traisenstraße 3  
**3134 Nußdorf ob der Traisen**  
office@peri.at  
www.peri.at

**17 Czech Republic**  
PERI spol. s r.o.  
Průmyslová 392  
**252 42 Jesenice**  
info@peri.cz  
www.peri.cz

**18 Denmark**  
PERI Danmark A/S  
forskalling og stillads  
Greve Main 26  
**2670 Greve**  
peri@peri.dk  
www.peri.dk

**19 Finland**  
PERI Suomi Ltd. Oy  
Hakakalliontie 5  
**05460 Hyvinkää**  
info@perisuomi.fi  
www.perisuomi.fi

**20 Norway**  
PERI NORGE AS  
Dråpen 9  
**3036 Drammen**  
info@peri.no  
www.peri.no

**21 Poland**  
PERI Polska Sp. z o.o.  
ul. Stoleczna 62  
**05-860 Plochocin**  
info@peri.pl.pl  
www.peri.pl.pl

**22 Sweden**  
PERIFORM SVERIGE AB  
Montörgatan 4-6  
Box 9073  
**30013 Halmstad**  
peri@periform.se  
www.periform.se

**23 Korea**  
PERI (Korea) Ltd.  
8-9th Fl., Yuseong Bldg.  
830-67, Yeoksam-dong,  
Kangnam-ku,  
**Seoul 135-080**  
info@perikorea.com  
www.perikorea.com

**24 Portugal**  
PERIcofragens Lda.  
Cofragens e Andaimes  
Rua Cesário Verde,  
nº 5 - 3º Esq.  
**Linda-a-Pastora**  
**2790-326 Queijas**  
info@peri.pt  
www.peri.pt

**25 Argentina**  
PERI S.A.  
Ruta Nacional N°. 9, km 47,5  
(Panamericana Ramal Escobar)  
**(1625) Escobar/Prov. Bs. As.**  
info@peri.com.ar  
www.peri.com.ar

**26 Brazil**  
PERI Formas e  
Escoramentos Ltda.  
Rodovia Raposo Tavares,  
km 41  
Colinas Bandeirante  
**CEP 06730-000**  
**Vargem Grande Paulista**  
**São Paulo**  
info@peribrasil.com.br  
www.peribrasil.com.br

**27 Chile**  
PERI Chile Ltda.  
C/José de San Martín N° 104  
Parque Industrial Los  
Libertadores  
**Colina, Santiago de Chile**  
perich@peri.cl  
www.peri.cl

**28 Romania**  
PERI România SRL  
Calea Bucureşti nr. 2B  
**077015 Baloteşti - ILFOV**  
info@peri.ro  
www.peri.ro

**29 Slovenia**  
PERI SLOWENIEN  
Goran Opalic  
Obrežna 137  
**2000 Maribor**  
peri.slo@triera.net  
www.peri.de

**30 Slovakia**  
PERI spol. s r.o.  
Šamorínska 18  
**903 01 Senec**  
info@peri.sk  
www.peri.sk

**31 Australia**  
PERI Australia Pty. Ltd.  
116 Glendenning Road  
**Glendenning NSW 2761**  
info@periaus.com.au  
www.periaus.com.au

**32 Estonia**  
PERI AS  
Valdmäe 8  
Taanassilma Tehnospark  
**76401 Saku vald**  
Harjumaa  
peri@peri.ee  
www.peri.ee



- 33 Greece**  
PERI Hellas Ltd.  
Sokratous Str.  
5th kil. Koropi-Varis Ave.  
P. O. Box 407  
**194 00 Koropi**  
info@perihellas.gr  
www.perihellas.gr
- 34 Latvia**  
PERI SIA  
Granita 26  
**1057 Riga**  
info@peri-latvija.lv  
www.peri-latvija.lv
- 35 United Arab Emirates**  
PERI (L.L.C.)  
Brashy Building,  
Office No. 212  
Shk. Zayed Road  
P.O. Box 27933  
**Dubai**  
perillc@perime.com  
www.perime.com
- 36 Canada**  
PERI Formwork Systems, Inc.  
45 Nixon Road  
**Bolton, Ontario**  
**L7E 1K1**  
info@peri.ca  
www.peri.ca
- 37 Libanon**  
PERI GmbH  
Lebanon Representative  
Office  
AYA Commercial Center,  
7th floor,  
Dora Highway,  
**Beirut**  
P.O. Box 90 416 Jdeidet  
lebanon@peri.de  
www.peri.de
- 38 Lithuania**  
PERI UAB  
Titnago st. 19  
**02300 Vilnius**  
info@peri.lt  
www.peri.lt
- 39 Marocco**  
PERI S.A.  
Route de Rabat, km. 5  
Piste de Beni Touzine  
**Tanger**  
peri25@menara.ma  
www.peri.de
- 40 Israel**  
PERI Formwork  
Engineering Ltd  
16 Moshe Dayan st.,  
P.O. Box 10202  
Petach Tikva,  
**49002 Israel**  
info@peri.co.il  
www.peri.co.il
- 41 Bulgaria**  
PERI BULGARIA EOOD  
Kv. Vragdebna  
m. Nova Machala Nr. 46  
**1839 – Sofia**  
peri.bulgaria@peri.bg  
www.peri.bg
- 42 Iceland**  
MEST Ltd.,  
Fornubudum 5  
**220 Hafnarfjordur**  
mest@mest.is  
www.mest.is
- 43 Kazakhstan**  
TOO PERI Kazakhstan  
Rubenstein Street 10  
(Corner Dostyk Str. 7)  
**050010 Almaty**  
peri@peri.kz  
www.peri.kz
- 44 Russian Federation**  
OOO PERI  
8 Etage, OOO PERI Buro  
Krasnaya Presnya Str. 24  
**123022 Moskau**  
moscow@peri.ru  
www.peri.ru
- 45 South Africa**  
PERI Wiehahn (Pty.) Ltd.  
P.O. Box 2668  
**Bellville 7535**  
ask@wiehahn.co.za  
www.periwiehahn.co.za
- 46 Ukraine**  
TOW PERI Ukraina  
23, M. Raskowa Str., B. 822  
**02002 Kiew**  
peri@peri.ua  
www.peri.ua
- 47 Egypt**  
PERI GmbH  
Egypt Branch Office  
24 A, Obour Gardens,  
4th Floor, apt. # 1  
Salah Salem Street  
**11361 Heliopolis**  
**Cairo**  
info@peri.com.eg  
www.peri.com.eg
- 48 Serbia**  
PERI Oplate d.o.o.  
Jurija Gagarina 81  
**11070 Novi Beograd**  
office@peri.co.yu  
www.peri.co.yu
- 49 Mexico**  
PERI Cimbras y Andamios,  
S.A. de C.V.  
Parque de las Américas  
KM 3.5 Carretera  
Jorobas – Tula  
Huehuetoca  
**Estado de México,**  
**C.P. 54680**  
info@peri.com.mx  
www.peri.com.mx
- 50 Azerbaijan**  
PERI Kalıp ve İskeleleri  
Baku Branch Office  
28 May Küç. Ev 72 Menzil 27  
**Baku**  
peribaku@peri.com.tr  
www.peri.com.tr
- 51 Turkmenistan**  
PERI Kalıp ve İskeleleri  
Aşgabat Branch Office  
Göroglu Sokak No. 130, Kat 2  
**744035 Aşgabat**  
periashgabat@peri.com.tr  
www.peri.com.tr
- 52 Belorussia**  
PERI Belarus  
Pr. Nesawisimosti 11  
Kopus-2 Zimmer: 526,528  
**220030 Minsk**  
peri@mail.belpak.by  
www.peri.com.tr
- 53 Croatia**  
PERI oplate i skele d.o.o.  
Dolenica 20  
**10 250 Donji Stupnik/**  
**Zagreb**  
info@peri.com.hr  
www.peri.com.hr
- 54 Iran**  
PERI GmbH  
Iran Branch Office  
Flat 27, 5th floor, KAVE BLVD,  
Building No. 246  
P.O. Box 1939793669  
**Teheran-Iran**  
iran@peri.ir  
www.peri.ir
- 55 India**  
PERI (India) Pvt Ltd  
717 Palm Springs  
Palm Court  
Malad Link Road  
Malad (West)  
**Mumbai – 400064**  
info@peri.in  
www.peri.in
- 56 Jordan**  
PERI Jordan  
Saad 5 Center, 4th Floor  
Office No. 404  
Al Madineh  
Al Munawara Street  
P.O. Box 367  
**11947 Amman**  
jordan@peri.de  
www.peri.de
- 57 Kuwait**  
PERI Kuwait  
Arraya Center, 29th Floor  
Al-Shuhada Street, Sharq  
P.O. Box 1060 Safat  
**13011 Kuwait**  
kuwait@peri.de  
www.peri.de
- 58 Saudi Arabia**  
PERI Saudi Arabia  
33 ALBatraa Street  
AL - Shurbatiy Building  
AL - Bughdadiyah AL -  
Gharbiah Distrect  
6th Floor, Flat # 61  
P.O. Box 11641  
**Jeddah**  
saudi-arabia@peri.de  
www.peri.de
- 59 Qatar**  
PERI Qatar LLC  
P.O. Box 24133  
**Doha**  
qatar@peri.de  
www.peri.de
- 60 Algeria**  
Société PERI S.A.S.  
Bureau de liaison d'Alger  
50 bis, Route de Gué  
de Constantine  
Hai El Badr (ex Apreval)  
Immeuble FADLI  
**Kouba - Alger**  
peri.alger@peri.fr  
www.peri.fr
- 61 Albania**  
Autostrada TIRANE-DURRES  
Km 2 Rr dytesore  
ne krah te Vodafonit  
Perballe ARDENOS FUSHE -  
MEZES TIRANE  
**Tirane / ALBANIA**  
info@peri.com.tr  
www.peri.com.tr
- 62 Peru**  
Av. Defensores  
del Morro 2074  
Chorrillos  
Lima  
**Peru**  
jeanpierre.saux@peri.com.pe

# PERI Product Range



## Wall Formwork

Panel Formwork  
Girder Formwork  
Circular Formwork  
Facade Formwork  
Brace Frame



## Climbing Systems

Climbing Scaffold  
Self-Climbing System  
Climbing Protection Panel  
Platform Systems



## Column Formwork

Square  
Rectangular  
Circular



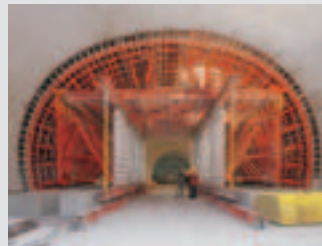
## Scaffold, Stairways, Working Platforms

Facade Scaffold  
Working Platform  
Weather Protection Roof  
Stairway Access



## Slab Formwork

Panel Formwork  
Beam Grid Formwork  
Girder Formwork  
Slab Table  
Beam Formwork



## Bridge and Tunnel Formwork

Cantilevered Parapet Carriage  
Cantilevered Parapet Platform  
Engineer's Construction Kit



## Shoring Systems

Steel Slab Props  
Aluminium Slab Props  
Tower Systems  
Heavy-Duty Props



## Services

Formwork Assembly  
Cleaning / Repairs  
Formwork Planning  
Software  
Statics  
Special Constructions

## Additional Systems

Plywood  
Formwork Girders  
Stopend Systems  
Pallets  
Transportation Containers



## PERI GmbH

### Formwork Scaffolding Engineering

P.O. Box 1264  
89259 Weissenhorn  
Germany  
Tel +49 (0)73 09.9 50-0  
Fax +49 (0)73 09.9 51-0  
info@peri.de  
www.peri.de